

T1/DS1 Customer Interface Panel

28-Circuit Demarcation Solution, RJ Ports and DS1 Monitor Jacks

Overview

Telect's unique Customer Interface Panel (CIP) helps save valuable space in crowded demarcation applications. With 28 terminations in just 1 RU (1.75 inches), the CIP provides a simple, high-density platform for customer handoff. RJ connectors fit standard practices and conveniently interface with customer equipment. Bantam jacks provide a non-intrusive platform for circuit monitoring and testing with all standard test sets.

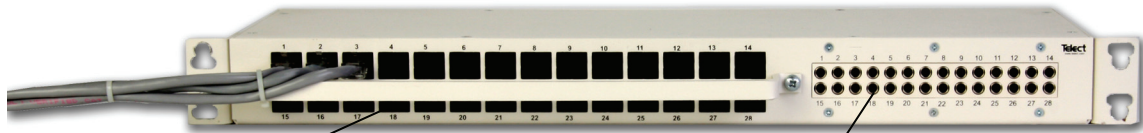
It's an ideal platform for T1 connectivity, demarcation and remote testing in backhaul applications — using the passive loopback feature of the RJ48X version of the panel, the provider can perform pre-service testing from the CO or head-end before turning up the circuit, without requiring a truck roll to the site.

Applications

- T1 Backhaul — demarcation and testing
- Customer hand-off/demarcation
- Remote node connectivity

Primary Benefits

- I/O termination options include RJ48X or RJ48C connectors on front (with or without shorting bar)
- RJ48X connectors provide automatic loopback of signal when plug is removed
- RJ48C connectors provide ease of installation and changes to network
- 64-pin female connectors enable rapid deployment and simple usage
- Cable management integrated into the panel
- Completely enclosed chassis provides robust protection for connections
- Bantam ports provide T1 termination monitoring
- Dedicated Digital Jack™ ensures signal integrity
- Reversible mounting brackets fit 19-inch and 23-inch equipment racks, EIA or WECCO



Front view

28 RJ48X Interface Ports

- Simple connection to SONET/node device
- RJ48X jacks enable remote troubleshooting with passive loopback capabilities (Telect part number 097-0128-0006)
- RJ48C jacks available if loopback functionality not required (097-0128-0007)

28 DS1 Ports

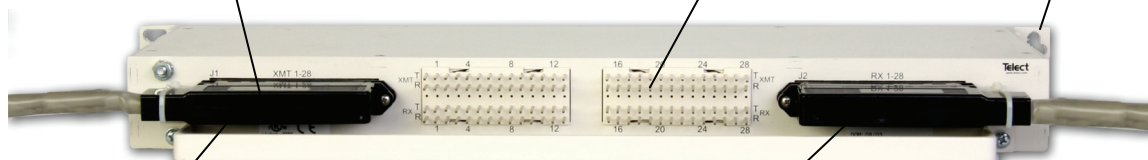
- Enables active monitoring at site

64-Pin AMP Connectors

- Available for faster in-field connections
- Include screw locks and cable ties
- Compatible with T1 node device cabling

Wire-Wrap I/O Field

- For traditional wire-wrap connections
- Top row — 1-28 transmit
- Bottom row — 1-28 receive



19" or 23" mounting

64-pin connector:
Circuits 1-28 — transmit

64-pin connector:
Circuits 1-28 — receive

Rear view

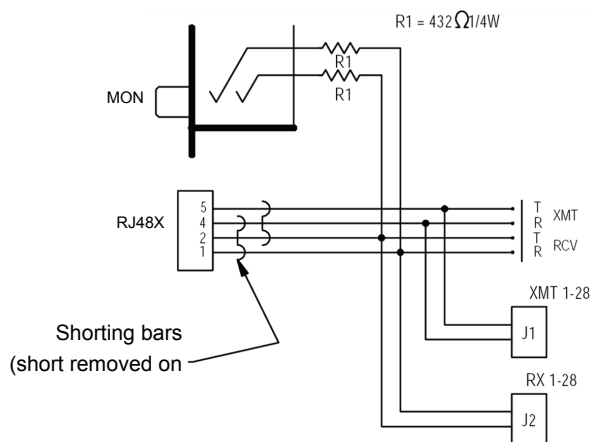
T1/DS1 Customer Interface Panel

28-Circuit Demarcation Solution, RJ Ports and DS1 Monitor Jacks

Ordering Information

Description	Part Number
28-term. CIP, RJ48X ports	097-0128-0006
28-term. CIP, RJ48C ports	097-0128-0007
28-term. CIP, RJ48C ports, internal cross-connects	097-0128-0008
Accessories	
DS1/Bantam patch cord, 1 ft.	040-1000-001
DS1/Bantam patch cord, 3 ft.	040-1000-003
DS1/Bantam patch cord, 5 ft.	040-1000-005
DS1/Bantam patch cord, 8 ft.	040-1000-008
DS1/Bantam patch cord, 10 ft.	040-1000-010
RJ Patch cord, crossover wiring, 3 ft.	902-23DD-0016-003
RJ Patch cord, crossover wiring, 5 ft.	902-23DD-0016-005
RJ Patch cord, crossover wiring, 10 ft.	902-23DD-0016-010
RJ Patch cord, crossover wiring, 15 ft.	902-23DD-0016-015
RJ Patch cord, standard wiring, 3 ft.	902-23DD-0004-003
RJ Patch cord, standard wiring, 5 ft.	902-23DD-0004-005
RJ Patch cord, standard wiring, 10 ft.	902-23DD-0004-010
RJ Patch cord, standard wiring, 15 ft.	902-23DD-0004-015
28-Pair shielded T1 assembly, 6 ft.	928-2104-0009-006
28-Pair shielded T1 assembly, 6 ft., reverse	928-2104-0019-006

RJ48X Schematic



RJ48X jacks feature a shorting bar between transmit and receive pins to enable automatic loopback when no patch cord is inserted. RJ48C jacks do not incorporate shorting bars.

Panel Specifications

Dimensions	19" W x 1.7" H x 5.9" D 483 mm x 43 mm x 150 mm
Weight	10 lbs. (4.5 kg)
Color	White
Material	Steel

DS1 Jack Specifications

Test Method	
Dedicated Digital Jack	Unless otherwise specified, all appropriate products are tested under MIL-J-641, method 202F

Electrical	
Insertion loss	< -0.5 dB (at 1.576 MHz)
Crosstalk	< -60 dB
Return loss	< -26 dB at 772 kHz
Monitor level	21 dB +/-1.5 dB below signal level
Contact resistance	< 0.01 ohms
Characteristic impedance	100 ohms

Mechanical	
Insertion force	4.17 lb (1.9 kg) average
Withdrawal force	5.21 lb (2.4 kg) average
Life	Minimum 20,000 insertion/withdrawal cycles
Vibration	Per MIL-STD-202F, method 201A

Environmental	
Salt spray	Per MIL-STD-202F, method 101D
Moisture resistance	Per MIL-STD-202F, method 106E
Thermal limits	-40 to 149°F (-40 to 65° C) operating -67 to 185°F (-55 to 85° C) non-operating
Thermal shock	Per MIL-STD-202, method 107D
Humidity	0 to 95% operating and non-operating