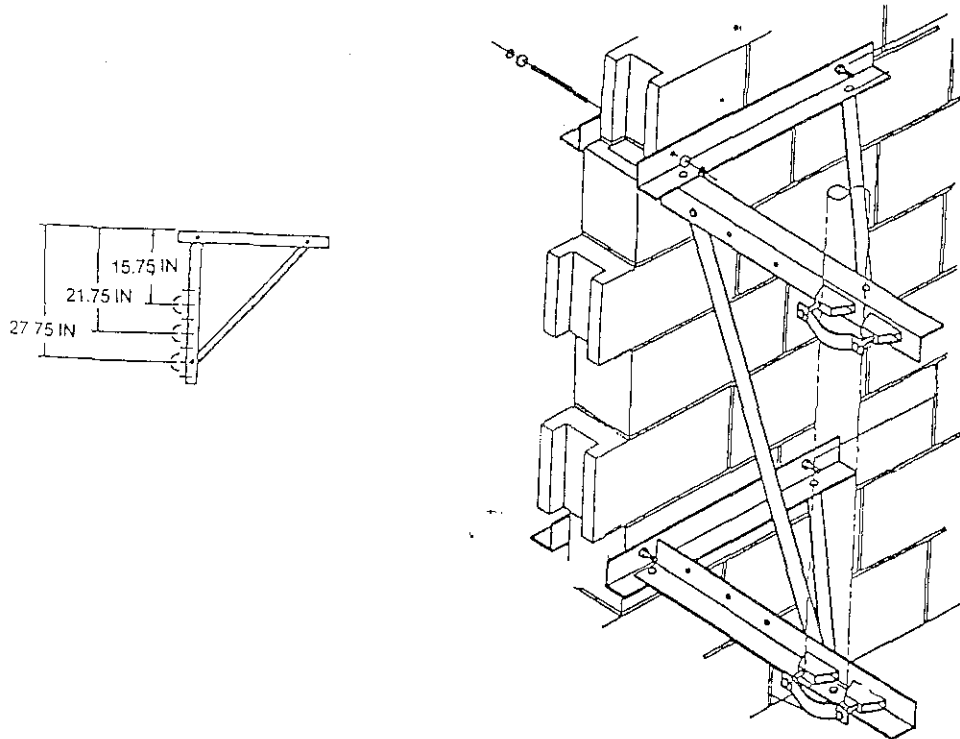
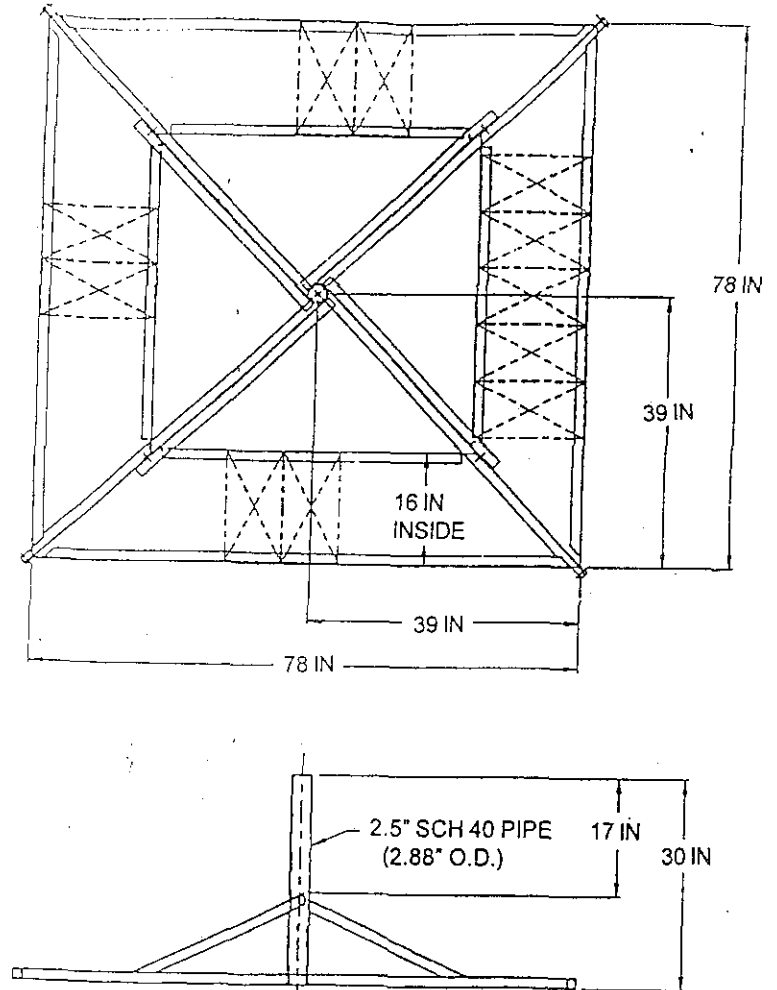


POLE WALL MOUNT



- * Part Number 0800-1317
- * Part Number 0800-1317-1 w/ 3/2" SCH 40 Pipe 7' long
- * Will accept 2.88" O.D. Thru 5.00" O.D. Mast Pipes
- * 125 MPH Wind Survival

6.5' X 6.5' NPMM

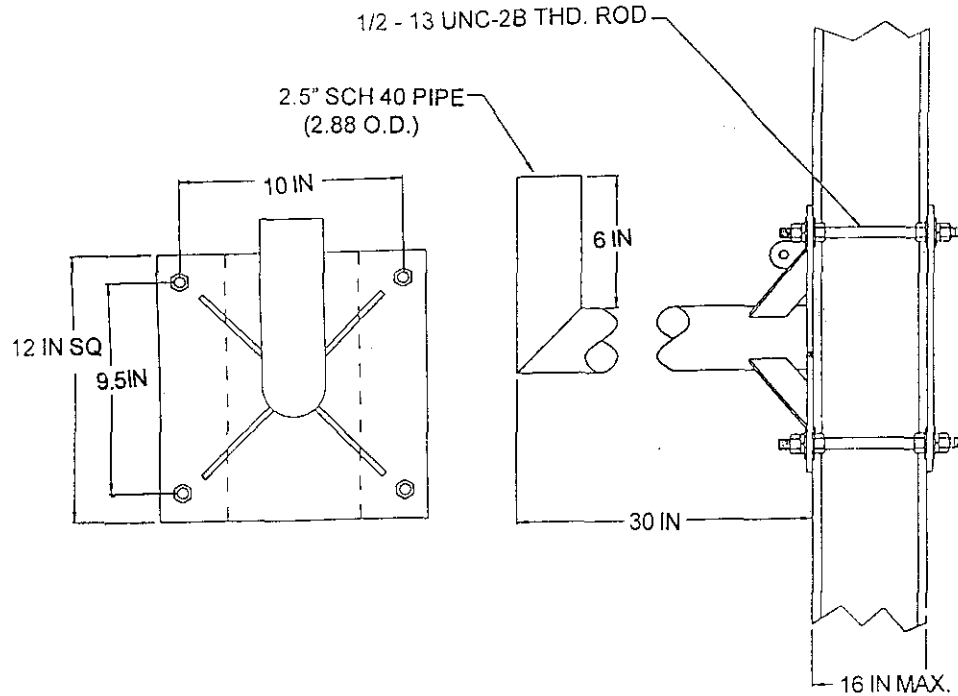


- * Part Number 0800-1379 with pads
- * Part Number 0800-1404 without pads
- * 2.88 in. O.D. Mast Pipe Size
- * 125 MPH Wind Survival based on 30ft. above ground, exposure B

**1.2M .6f/d Mounts
used with Series 1123, 1124, and 1125**

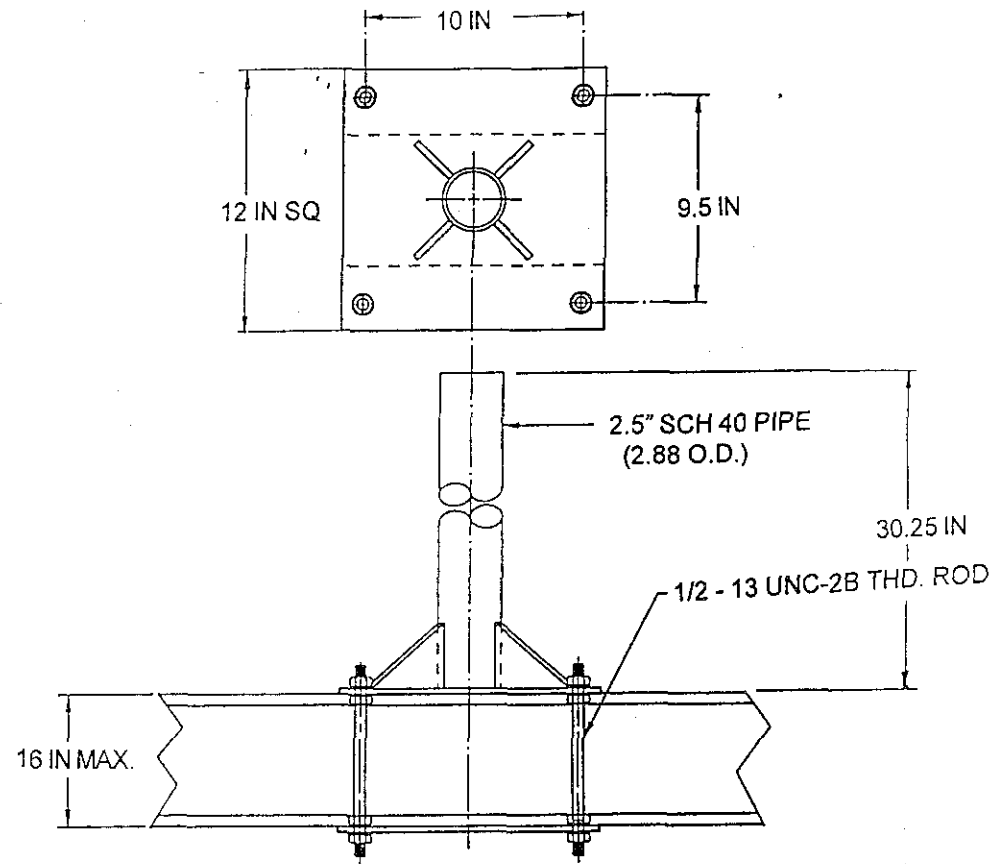


PLATE WALL MOUNT



- * Part Number 0800-116
- * 2.88 in. O.D. Mast Pipe Size
- * 125 MPH Wind Survival

PLATE MAST MOUNT

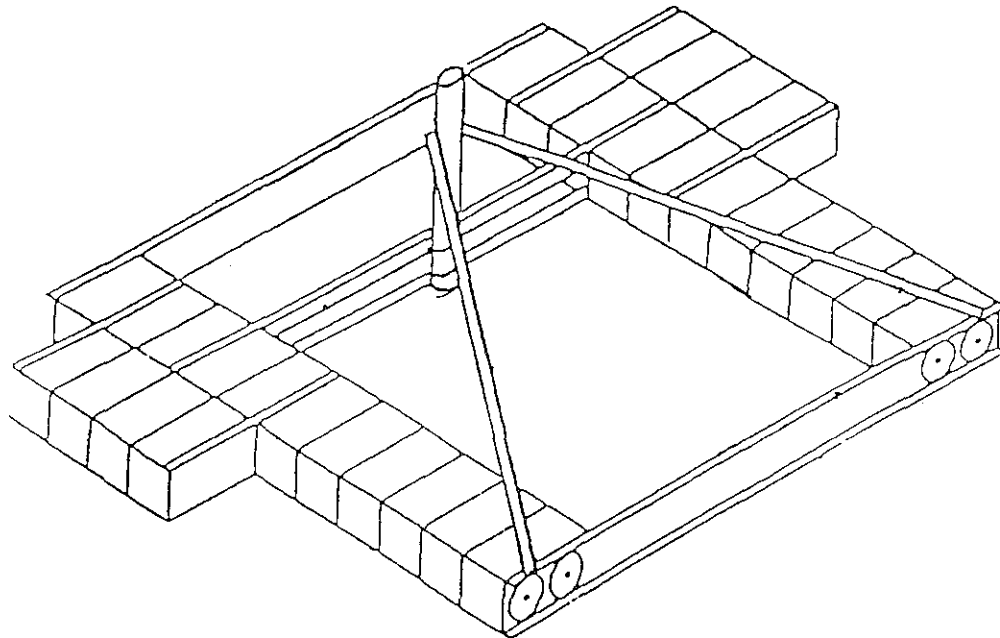


- * Part Number 0800-110
- * 2.88 in. O.D. Mast Pipe Size
- * 125 MPH Wind Survival

1.2M .6f/d Mounts
used with Series 1123, 1124, and 1125

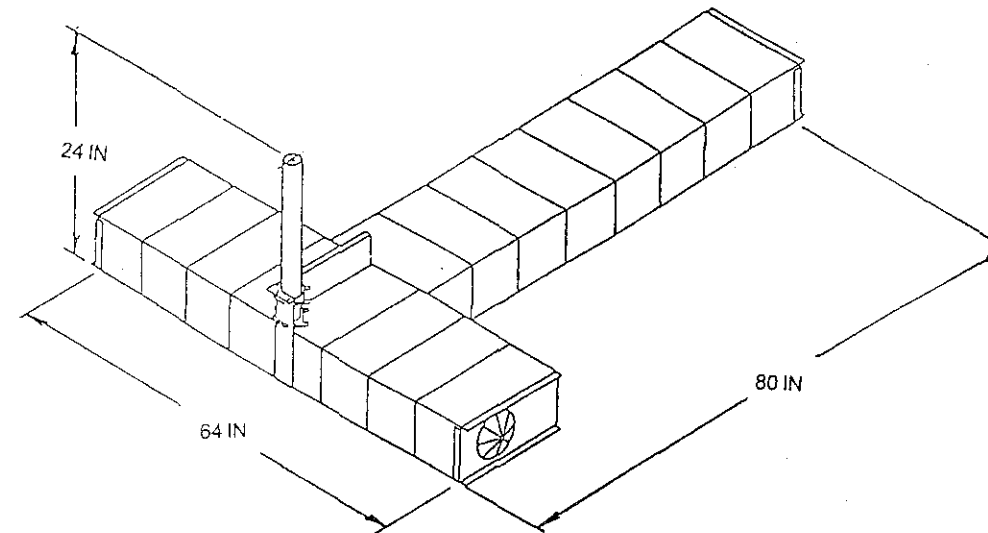


AM-288 NPMM



- * Part Number 0800-832 - for up to 20 blocks
- * Part Number 0800-835 - for extension kit to allow up to 36 blocks
- * 2.88 in. O.D. Mast Pipe Size
- * 125 MPH Wind Survival based on 20 block configuration at 30ft. above ground, exposure B

"T" MOUNT NPMM

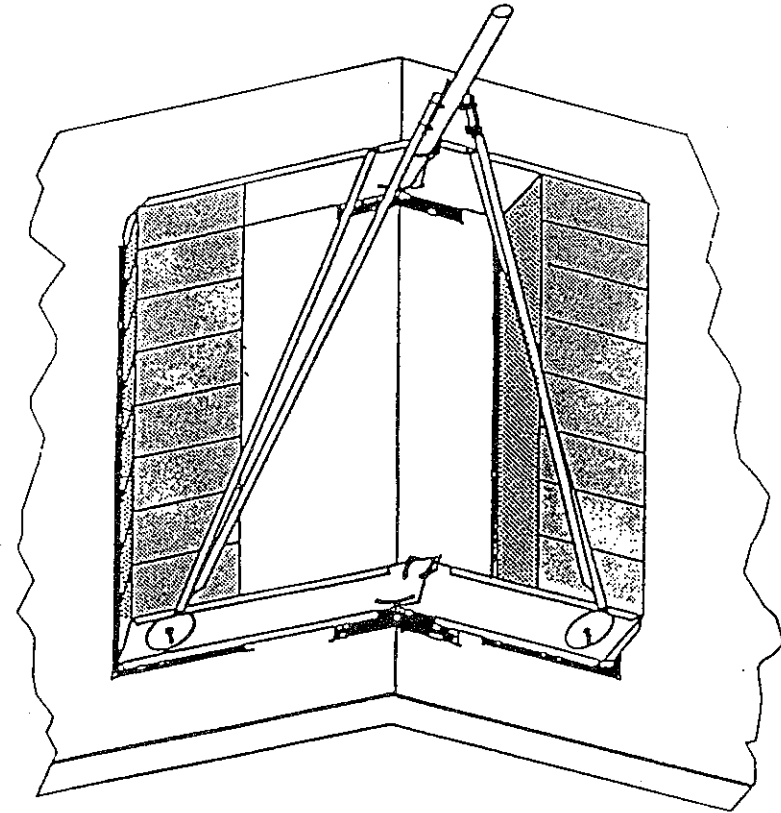
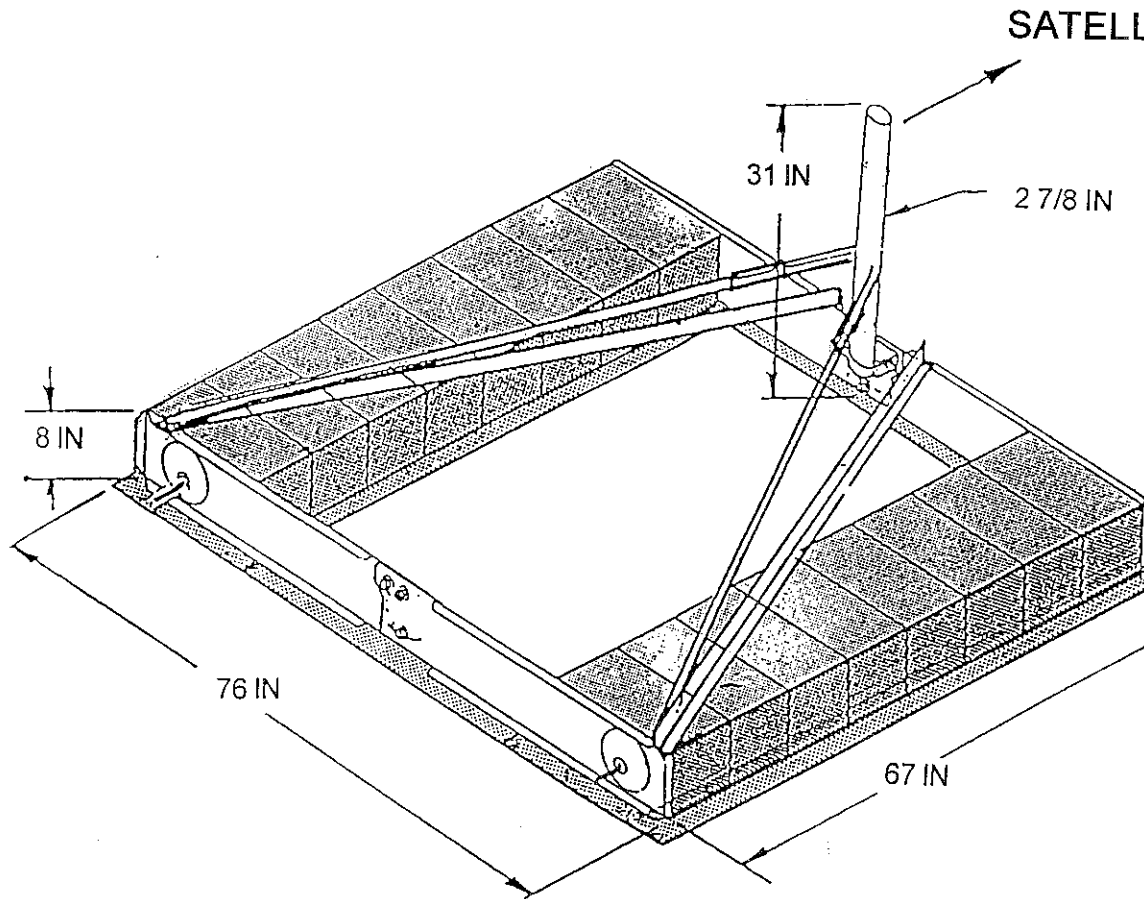


- * Part Number 0800-632
- * 2.88 in. O.D. Mast Pipe Size
- * 105 MPH Wind Survival based on 30ft. above ground, exposure B



**1.2M .6f/d Mounts
used with Series 1123, 1124, and 1125**

RIDGE MAST MOUNT (RMM)



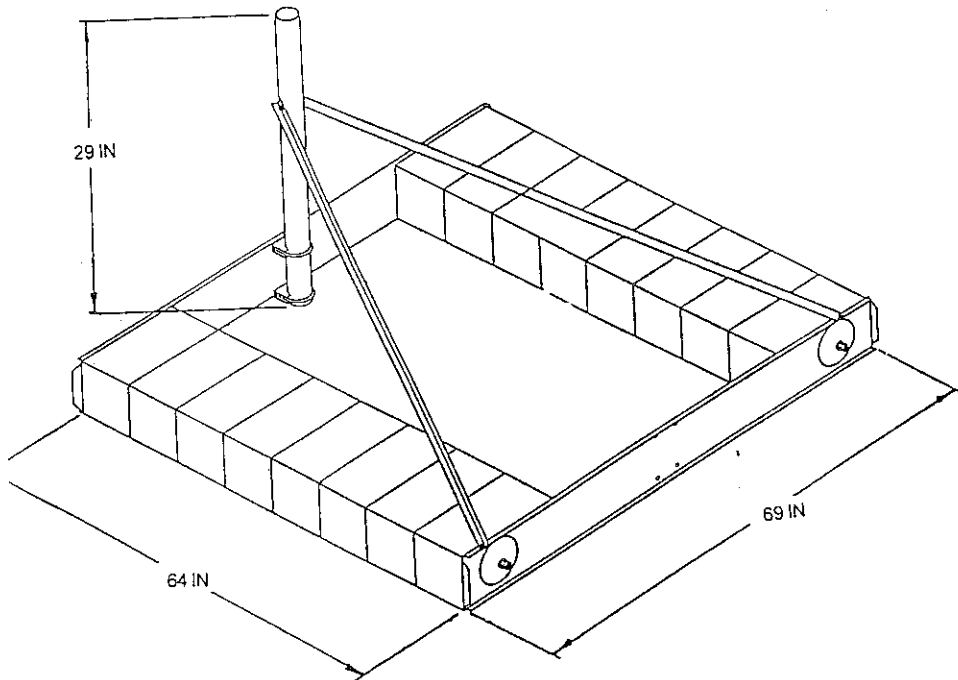
- * Part Number 0800-123
- * 2.88 in. O.D. Mast Pipe Size
- * 70 MPH Wind Survival based on 30ft. above ground, exposure B



**1.2M .6f/d Mount
used with Series 1123, 1124, and 1125**

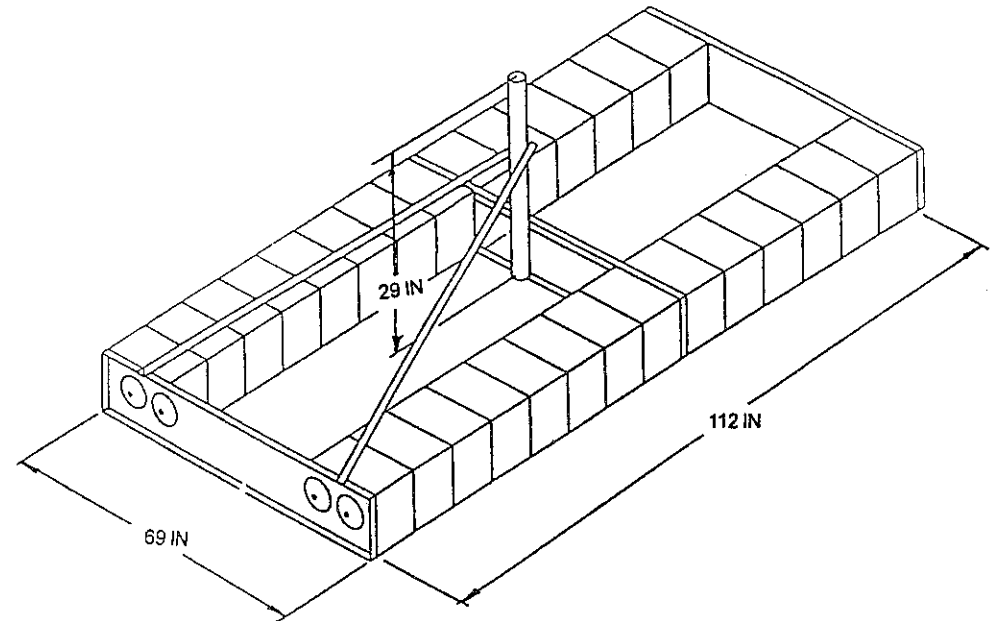
PRODELIN
ISO 9002 registered
certificate no. A2421
5002-206 (07-97) © PRODELIN

RECTANGULAR BLOCK MAST MOUNT 16 BLOCK



- * Part Number 0800-182 with pads
- * Part Number 0800-1045 without pads
- * 2.88 in. O.D. Mast Pipe Size
- * 100 MPH Wind Survival based on 30ft. above ground, exposure B

RECTANGULAR BLOCK MAST MOUNT 28 BLOCK



- * Part Number 0800-697 with pads
- * Part Number 0800-1076 without pads
- * 2.88 in. O.D. Mast Pipe Size
- * 125 MPH Wind Survival based on 30ft. above ground, exposure B



**1.2M .6f/d Mounts
used with Series 1123, 1124, and 1125**