

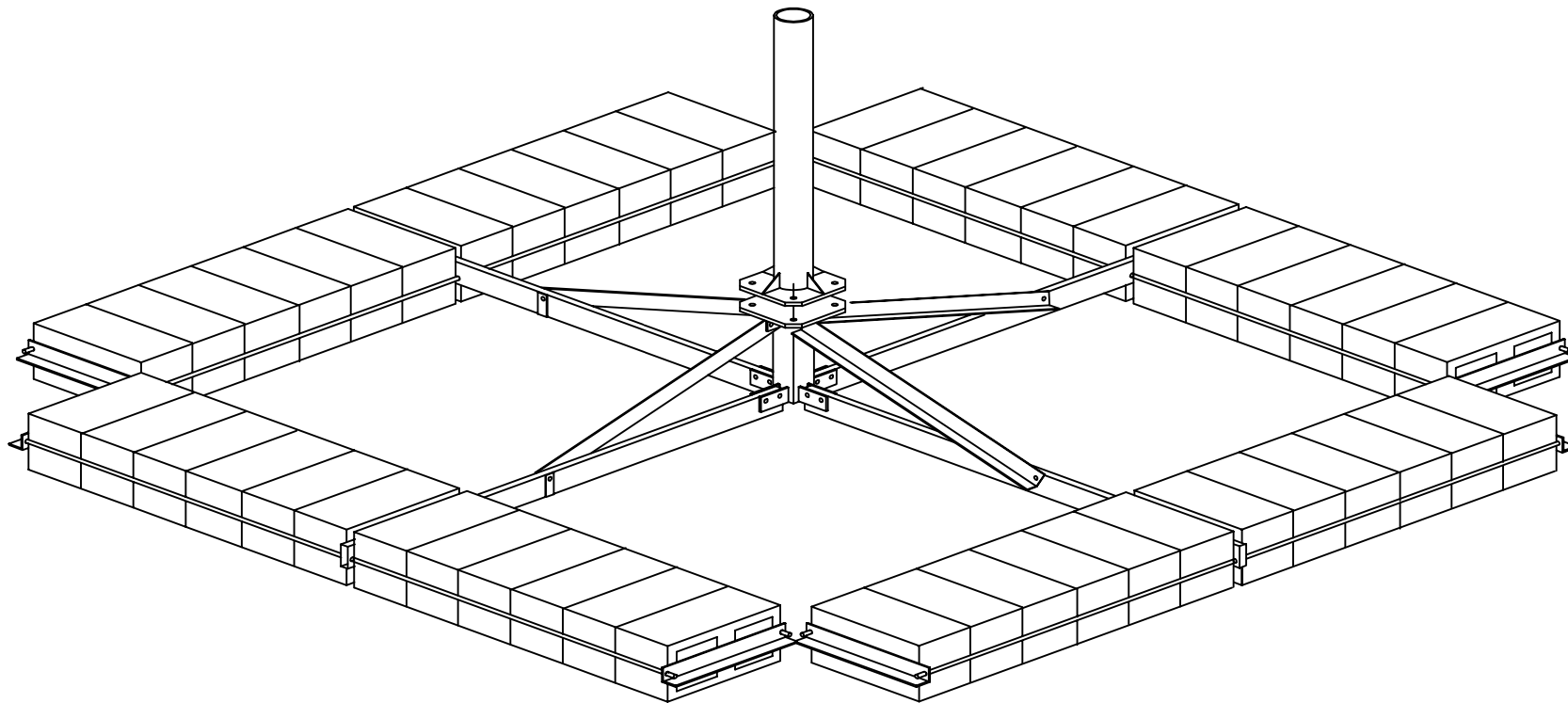
# BAIRD

SATELLITE SUPPORTING SYSTEMS

A division of Baird Industries, Inc.

BAIRD Non-penetrating Support System

MODEL: BPTS-6



Shown with 12 block/leg ballast holders  
8"x8"x16"nom. block supplied by customer

The BPTS-6 non-penetrating antenna supporting system is designed to handle a 1.8M antenna. With the post-tension ballast design the BPTS-6 is a solid, easily installed and cost-effective mounting system.