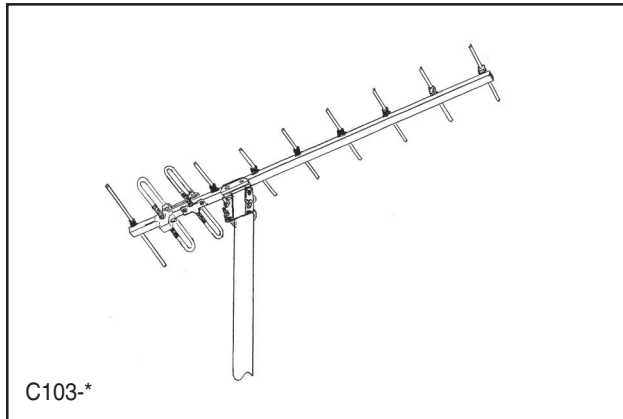


C51-*



C103-*

TACO ANTENNAS

C-SERIES YAGI ANTENNA MODELS:

- ◆ C51-*
- ◆ C101-*
- ◆ C103-*

YAGI ANTENNAS

These rugged 75 Ohm yagi antennas have stainless steel fasteners and reinforced element sleeves. Low band models have vibration dampeners in the parasitic elements for longer life. Insulator and terminal cavities are foam filled for resistance to moisture.

There are two low band models and one high band model. The five element low band and ten element high band models are available with the exclusive **Wade Cantilever Mount**. However, due to the length of the boom, the ten element low band model (C101-*) is not available with a cantilever mount.

TACO CATV YAGI ANTENNA

C-SERIES

ELECTRICAL SPECIFICATIONS

SPECIFICATION	C51-*	C101-*	C103-*
NO. ELEMENTS	5	10	10
CHANNEL*	2 To FM	2 To FM	7 To 13
GAIN	9 dBi	11.5 dBi	12 dBi
IMPEDANCE	75 Ohm	75 Ohm	75 Ohm
VSWR	1.4:1	1.4:1	1.35:1
FR:BK RATIO	20 dB	20 dB	20 dB
POLARIZATION	V or H	V or H	V or H
H. BEAM WIDTH	57 deg.	48.6 deg.	45 deg.
V. BEAM WIDTH	100 deg.	64 deg.	58 deg.
CONNECTOR	"F" Connector	"F" Connector	"F" Connector
CENTRE MOUNT	Standard	Standard	Standard
CANTILEVER MOUNT	Optional	Not Available	Optional
PIPE SIZE**	Up To 2.5" O.D.	Up To 2.5" O.D.	Up To 2.5" O.D.

* SPECIFY CHANNEL.

** LARGER SIZES ARE AVAILABLE ON REQUEST

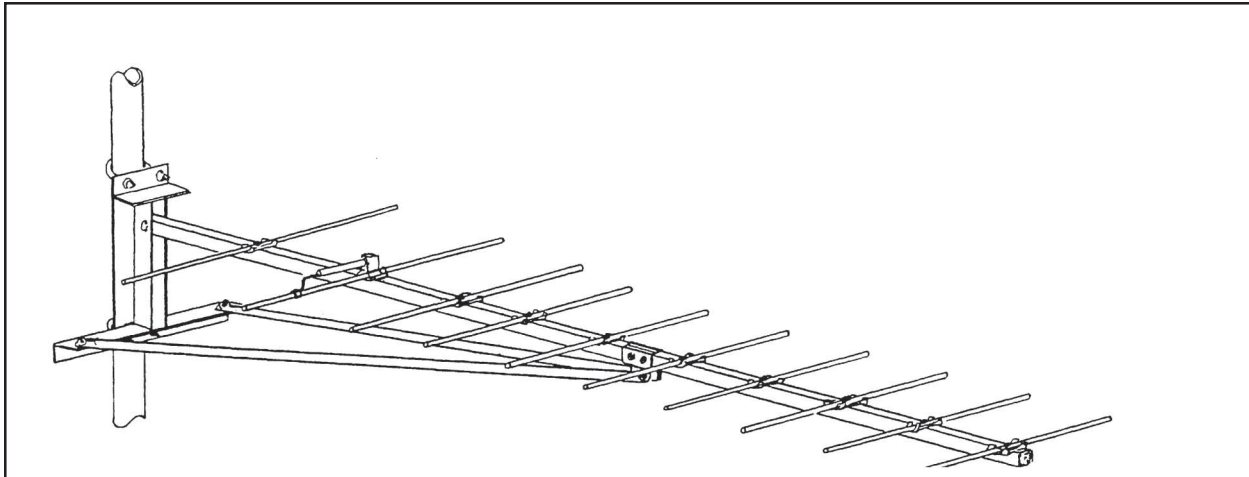
TACO CATV YAGI ANTENNAS

C-SERIES

MECHANICAL SPECIFICATIONS

MODEL	LENGTH (IN.)	WIDTH* (IN.)	WEIGHT (Lbs)	WIND LOAD AREA		THRUST (Lbs.)		TORQUE (Ft. - Lbs.)	
				NO ICE	1" RAD. ICE	NO ICE	1" RAD. ICE	NO ICE	1" RAD. ICE
C51-2	93	110	15	0.81	2.10	29.2	18.9	55.5	35.9
C51-3	93	98	15	0.81	2.10	29.2	18.9	55.5	35.9
C51-4	79	88	15	0.69	1.78	24.9	16.1	40.2	26.0
C51-5	79	80	15	0.69	1.78	24.9	16.1	40.2	26.0
C51-6	79	74	15	0.69	1.78	24.9	16.1	40.2	26.0
C51-FM	79	70	15	0.69	1.78	24.9	16.1	40.2	26.0
C101-2	181.5	110	34	1.58	4.10	56.9	36.9	210.9	136.8
C101-3	181	100	34	1.58	4.10	56.9	36.9	210.9	136.8
C101-4	148	90	34	1.28	3.34	46.1	30.1	139.3	91.0
C101-5	148	78	34	1.28	3.34	46.1	30.1	139.3	91.0
C101-6	148	72	34	1.28	3.34	46.1	30.1	139.3	91.0
C101-FM	148	70	34	1.28	3.34	46.1	30.1	139.3	91.0
C103-7	86.5	35	12.5	0.75	1.95	27.0	17.6	47.7	31.1
C103-8	86.5	34	12.5	0.75	1.95	27.0	17.6	47.7	31.1
C103-9	86.5	32	12.5	0.75	1.95	27.0	17.6	47.7	31.1
C103-10	86.5	32	12.5	0.75	1.95	27.0	17.6	47.7	31.1
C103-11	86.5	32	12.5	0.75	1.95	27.0	17.6	47.7	31.1
C103-12	86.5	28	12.5	0.75	1.95	27.0	17.6	47.7	31.1
C103-13	86.5	28	12.5	0.75	1.95	27.0	17.6	47.7	31.1

* LENGTH OF LONGEST ELEMENT
WIND SPEED NO ICE 100 MPH, 1" ICE 50 MPH



WADE CANTILEVER MOUNT
(SHOWN ON MODEL J105 - ANETNNA)