

FieldSmart Fiber Delivery Point (FDP)

Indoor 36-Port Wall Mount Panel



Application

- Fiber demarcation
- CATV applications
- Entrance facilities
- MDU (Multi-dwelling Units) applications
- Telecommunications room
- Security systems (CCTV)

Description

The FieldSmart Fiber Delivery Point (FDP) Indoor Wall Mount Panel allows the user to easily scale to 12 to 36 ports. Mid-span / ring cut capable of reducing installation costs and deployment time. Utilizing Clearview Cassettes, the product is shipped loaded with the industry standard adapter of your choice. It is preloaded for patch only or patch & splice applications and supports all cable constructions for the inside plant. The FieldSmart FDP Wall Mount Panel has piano hinge doors for increased security and for easy installation, and a solid enclosure design to protect fiber terminations from damage. Also supports PON applications with the ability to house a single 1 x 32 splitter.

Features & Benefits

Integrity

- 100% tested GR-326 compliant terminations, and is GR-20 and GR-409 compliant
- Supports all industry standard singlemode and multimode connectors
- 100% performance tested for I.L./R.L. and final mechanical inspect

Protection

- Radius protected storage for up to five (5) meters of jacketed fiber or patch cord slack is provided (patch side)
- Rugged steel construction with security enabled doors provide protection from tampering or in advertent damage with industry-standard can wrench fasteners
- Integrated fiber management protects fiber from micro-bend and macro-bend damage
- A grounding lug is included (see page 126 for grounding recommendations)

Access

- Removable doors and non-angled connectors enable fast, easy fiber jumper routing, reducing the risk of fiber damage when cleaning or patching fibers
- Ships ready to install with cable clamp kit, and miscellaneous accessories
- Upper and lower entry/exit points for feeder/customer premise cables
- Larger design facilitates ease of access in the environments product is deployed
- Accessible using a standard can wrench
- Pre-loaded for patch only or patch & splice applications

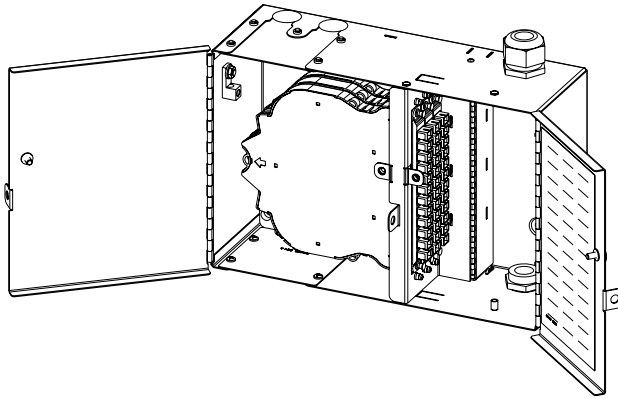
Investment

- Scalable to 36 ports of fiber using Clearview Cassettes loaded with the interface of your choice
- Pre-configured/pre-loaded factory terminated assemblies
- Panel can be configured as a tie panel and later converted to a patch only or a patch & splice panel, utilizing the Clearview Cassette

FDP Indoor 36-Port Wall Mount Panel

FieldSmart Fiber Delivery Point (FDP)

Indoor 36-Port Wall Mount Panel



Specifications

| Indoor Wall Mount Panel | |
|-------------------------|---|
| Dimensions | 10.5" H x 16.0" W x 5.5" D |
| Port Density | Up to 36 ports |
| Splice Capacity | 12 splices in each Clearview Cassette |
| Interface Types | ST, SC, SC APC, FC, FC APC, LC, LC APC |
| Storage Capacity | Up to 5 meters of 12-fiber IFC jacketed fiber |

Configured Part Numbers

W Z - - - - Z Z XXXM or XXXF

1 2 3 4 5 6

1 Select wallmount style

E = Patch only
F = Patch & splice
G = Tie Panel

2 Select port count

012 = 12 port
024 = 24 port
036 = 36 port

3 Select connector style

A = SC UPC J = FC UPC
C = SC APC K = FC APC
F = LC UPC M = ST UPC
H = LC APC

4 Select Mode / Type

1 = Singlemode, non ribbon
2 = Singlemode, ribbon
3 = Multimode (62.5), non ribbon
4 = Multimode (62.5) ribbon
9 = No fiber - multimode
0 = No fiber - singlemode

5 Select cable construction

A = Indoor, Riser Rated (IFC)
B = OSP, Riser Rated
C = Indoor, Plenum (IFC)
E = OSP, Non-Rated
F = 900um Tight Buffer (P & S only)

6 Select cable exit *

2 = Top Left
4 = Bottom Left
Z = N/A - Use for Patch & Splice

XXXM or XXXF

XXXF = Length of pigtail in feet
XXXM = Length of pigtail in meters

* Cable exit is defined by which direction the cable exits the panel when viewing it from the front.