

Preconnectorized “Stubbed” Hardware

An Evolant® Solutions Product

Corning
Cable Systems

Description

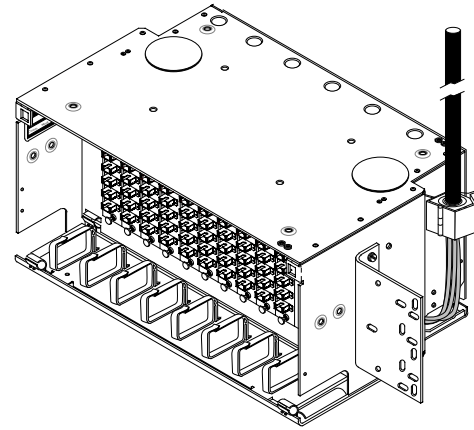
Corning Cable Systems offers preconnectorized optical hardware (stubbed) which comes equipped with factory-terminated and tested cable assemblies pre-installed into a variety of hardware products. Stubbed hardware takes the time-consuming and costly process of terminating cables in the field and moves it to the factory floor where the process can be completed under Corning Cable Systems’ Quality Standards. Housings are available partially or fully loaded. For partially loaded housings, stubbed connector modules or panels are also available.

Fiber counts that exceed the hardware capacity will be assembled by stacking single housings to meet the fiber count. For example, a 144-fiber stubbed FDC® Unit will consist of two stacked FDC-CMH-072 housings.

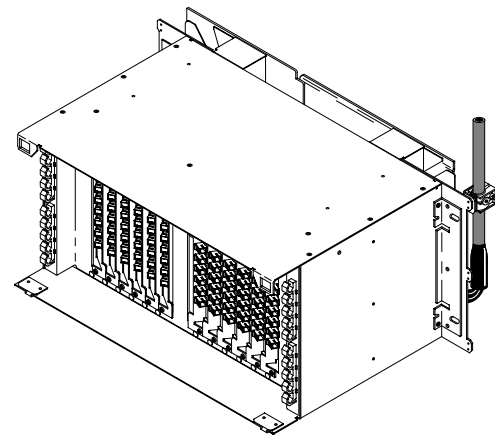
Contact Corning Cable Systems Customer Service for more information on the availability of special configurations.

Features / Benefits

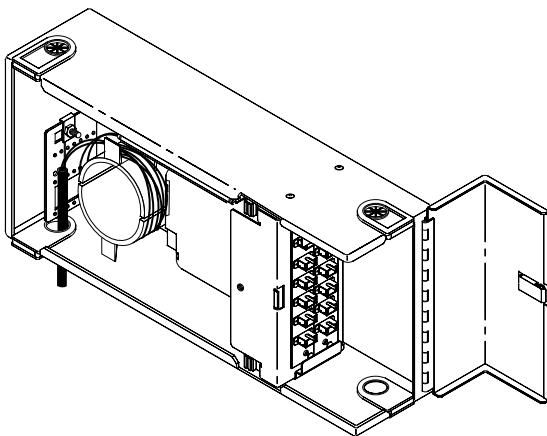
- Improved connector performance and quality
- Available in any combination of hardware style, cable type, connector type and fiber count
- Saves cost
 - Decreases installation time; increases revenue
 - Reduces amount of part numbers



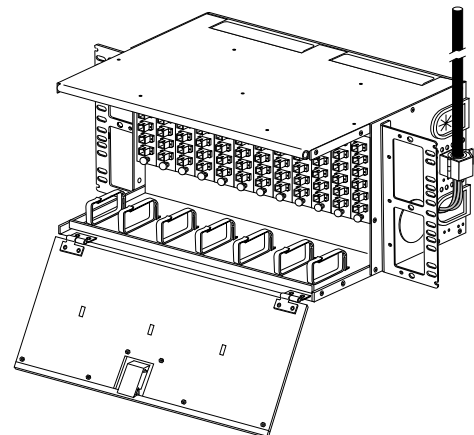
LDC Lightguide Distribution Center | Drawing ZA-2049



ACH™ Unit Angled Connector Housing | Drawing ZA-820



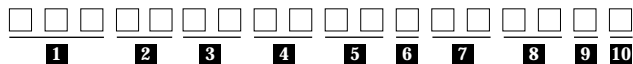
WBT Wall-Mountable Building Terminal | Drawing ZA-527



FDC Unit Connector Module Housing | Drawing ZA-1646

Ordering Information

Note: Some product combinations using this matrix are not available. Please verify specific product availability with a Corning Cable Systems Customer Service Representative.



1 Select housing type.

Prefix for Space 1	Housing	Housing Dimensions (H x W x D) in	Maximum Number of Panels per Housing	Panel Type (see Table B for capacities)	Locking Availability	Notes
ACH™ Unit – Angled Connector Housing						
ACH	ACH-CMH-072	8 x 20.5 x 12	12	ACH		23-in frame only
HPH	ACH-HMH-072	8 x 20.5 x 12	12	HCP		23-in frame only
ACP	ACH Unit Panel			N/A		Requires ACH Unit housing
HCP	HMH Panel			N/A		Requires HMH housing
ADB						
ADB	ADB-APH-072	8 x 17 x 11	12	ADB		19- or 23-in frame
CCH – Closet Connector Housing						
CC1	CCH-01U	1.75 x 17 x 12	2	CCH	Front or rear	19- or 23-in frame
CC2	CCH-02U	3.5 x 17 x 12	4	CCH	Front or rear	19- or 23-in frame
CC3	CCH-03U	5.25 x 17 x 12	6	CCH	Front or rear	19- or 23-in frame
CC4	CCH-04U	7 x 17 x 12	12	CCH	Front or rear	19- or 23-in frame
CS1	CCS-01U	1.75 x 17 x 12	2	CCH	Front or rear	19- or 23-in frame
CS3	CCS-03U	5.25 x 17 x 12	4	CCH	Front or rear	19- or 23-in frame
Eclipse® Hardware						
ECL	ECL-C4U with 4-fiber panels	7 x 17.3 x 12	12	ECL	Front	19- or 23-in frame
EW2	ECL-W2P	6.7 x 12.5 x 4.25	2	ECL	Dual door	Wall-mountable
EW3	ECL-W3P	13 x 12.5 x 4.25	3	ECL	Dual door	Wall-mountable
EW6	ECL-W6P	20.75 x 12.5 x 4.25	6	ECL	Dual door	Wall-mountable
EP4	Eclipse Hardware Connector Panel			N/A		Requires ECL housing
Fiber Building Terminal						
FBT	FBT-048	11 x 17 x 6.12	8	LDC	Single (provider and subscriber)	Wall-mountable, locking version available

continued

Ordering Information (continued)

1 Select housing type (continued).

Prefix for Space 1	Housing	Housing Dimensions (H x W x D) in	Maximum Number of Panels per Housing	Panel Type (see Table B for capacities)	Locking Availability	Notes
FDC® Unit – Fiber Distribution Center						
FDC	FDC-CMH-072	8.75 x 17 x 11	12	FDC Unit	Front	19- or 23-in frame
FD5	FDC-CMH-024	5.25 x 17 x 11	4	FDC Unit	Front	19- or 23-in frame
FD1	FDC-001	26.25 x 17 x 11	24	FDC Unit	Front	19- or 23-in frame, splice and termination combo unit, 144-fiber
FD2	FDC-002	17.5 x 17 x 11	12	FDC Unit	Front	19 or 23- in frame, splice and termination combo unit, 72-fiber
FD3	FDC-003	8.75 x 17 x 11	4	FDC Unit	Front	19- or 23-in frame, splice and termination combo unit, 24-fiber
FDV	FDC-005	5.25 x 17 x 11	4	FDC Unit	Front	19- or 23-in frame, splice and termination combo unit, 24-fiber
FDM	FDC Unit Module		N/A			Requires FDC Unit housing
FDP	FDC Unit Panel		N/A			Requires FDC Unit housing
FHP	FHC Panel		N/A			Requires FHC housing
HDF – High-Density Frame						
HD1	HDF single shelf	1.75 x 21.25 x 12	24	HDF		23-in frame only, left cable entry only
HD2	HDF double shelf	3.5 x 21.25 x 12	48	HDF		23-in frame only, left cable entry only
HD3	HDF triple shelf	5 x 21.25 x 12	72	HDF		23-in frame only, left cable entry only
HD4	HDF four shelf	7 x 21.25 x 12	96	HDF		23-in frame only, left cable entry only
HD5	HDF five shelf	8.75 x 21.25 x 12	120	HDF		23-in frame only, left cable entry only
HD6	HDF six shelf	10.5 x 21.25 x 12	144	HDF		23-in frame only, left cable entry only

continued

Ordering Information (continued)

1 Select housing type (continued).

Prefix for Space 1	Housing	Housing Dimensions (H x W x D) in	Maximum Number of Panels per Housing	Panel Type (see Table B for capacities)	Locking Availability	Notes
HDF – High-Density Frame (continued)						
HD7	HDF seven shelf	12.25 x 21.25 x 12	168	HDF		23-in frame only, left cable entry only
HD8	HDF eight shelf	14 x 21.25 x 12	192	HDF		23-in frame only, left cable entry only
HD9	HDF nine shelf	15.75 x 21.25 x 12	216	HDF		23-in frame only, left cable entry only
LDC						
LDC	LDC-CMH-072	7 x 17 x 11	12	LDC		19- or 23-in frame
LDT	LDC-CMH-024	3.5 x 17 x 11	4	LDC		19- or 23-in frame
LDS	LDS-CMH-072	7 x 17 x 11	12	LDS		19- or 23-in frame, recessed panels
LHS	LHS-CMH-144	9 x 17 x 11	12	LHS		19- or 23-in frame
LHR	LHS-CHH-144	9 x 17 x 11	12	LHR		19- or 23-in frame, recessed panels
LXR	LXR-001	16 x 17 x 11	6 and 12	LDS, LHR		19- or 23-in frame, recessed panels, LDS and LHR combo unit
LTS	LTS-CMH-216	10 x 17 x 11	12	LTS		19- or 23-in frame
LD1	LDC-001	21 x 17 x 11	24	LDC		19- or 23-in frame, splice and termination combo unit, 144-fiber
LD2	LDC-002	14 x 17 x 11	12	LDC		19- or 23-in frame, splice and termination combo unit, 72-fiber
LD5	LDC-005	5 x 17 x 11	4	LDC		19- or 23-in frame, splice and termination combo unit, 24-fiber
LDP	LDC Panel		N/A			Requires LDC housing
LDM	LDC Module		N/A			Requires LDC housing
PCH – Pretium™ Connector Housing						
PR1	PCH-01U	1.75 x 17 x 16	2	CCH		19-in standard, 23-in sold separately
PR4	PCH-04U	7 x 17 x 16	12	CCH		19-in standard, 23-in sold separately

continued

Ordering Information (continued)

1 Select housing type (continued).

Prefix for Space 1	Housing	Housing Dimensions (H x W x D) in	Maximum Number of Panels per Housing	Panel Type (see Table B for capacities)	Locking Availability	Notes
Remote Cabinet Shelf						
RC2	RCS-012	1.75 x 17 x 11	2	FDC® Unit		19- or 23-in frame, forward sliding tray
RC4	RCS-024	3.5 x 17 x 11	4	FDC Unit		19- or 23-in frame, forward sliding tray
RH2	RCS-CSH-012	1.75 x 17 x 11	2	FDC-CP1P-123C		19- or 23-in frame, high-density, SC only
RH4	RCS-CSH-024	3.5 x 17 x 11	4	FDC-CP1P-123C		19- or 23-in frame, high-density, SC only
Wall Building Terminal						
WBT	WBT-012	7 x 15.5 x 4	2	LDC	Provider door	Wall-mountable, uses standard LDC panels
WB4	WBT-024	7 x 15.5 x 4	2	LHC	Provider door	Wall-mountable, uses LHC panels, SC only, 24-fiber
Wall-Mountable Connector Center						
WC4	WCC-048	12 x 20.3 x 3.25	8	FDC Unit	Provider door	Wall-mountable, uses standard FDC Unit panels
WC7	WCC-072	12 x 20.3 x 3.25	12	FDC Unit	Provider door	Wall-mountable, uses standard FDC Unit panels
Wall Distribution Center						
WD1	WDC-001	12.7 x 17.2 x 3	4	FDC Unit	Provider door	Wall-mountable, uses standard FDC Unit panels
WD2	WDC-002	12.7 x 17.2 x 4	4	FDC Unit	Provider door	Wall-mountable, uses standard FDC Unit panels
WD6	WDC-006	15.5 x 19 x 4	4	LDC	Provider door	Wall-mountable, uses standard LDC panels and B-size Raychem splice trays
Wall Interconnect Center						
WI4	WIC-024	9.25 x 8.5 x 4.6	4	WIC		Wall-mountable
Wall-Mountable Connector Housing						
WH2	WCH-02P	9.25 x 13.25 x 3.25	2	CCH	Provider door	Wall-mountable
WH4	WCH-04P	13.5 x 16.1 x 4.1	4	CCH	Provider door	Wall-mountable
WHC	WCH-12P	13.5 x 22.5 x 5.1	12	CCH	Provider door	Wall-mountable

Ordering Information (continued)

2 Select total fiber count (0-99 fibers, enter number; 99+, enter alphanumeric code from Table A).

Examples:

72 = 72-fiber
E4 = 144-fiber

3 Select cable length in meters
(1 meter = 3.281 ft) (0-99 meters = enter number; 99+, enter alphanumeric code from Table A).

Examples

31 = 31 m (100 ft)
F3 = 153 m (500 ft)

4 Select number of fibers required per panel; see Table B for panel capacity based on connector type.

Examples:

06 = 6-fiber
12 = 12-fiber

5 Select adapter/connector code.

Single-mode, Ultra PC (RFL 55 dB)

3C = SC/UPC, ceramic insert adapter
59 = SC/UPC Duplex, ceramic insert
11 = FC/UPC, metal insert adapter
19 = ST/UPC, ceramic insert adapter
(FDC® Unit and HDF only)
6T = ST/UPC, threaded ceramic insert
98 = MT-RJ
A9 = LC/UPC Duplex, ceramic insert

Single-mode, Angled PC (RFL 70 dB)

6C = SC/APC, metal insert adapter
21 = FC/APC, metal insert adapter
66 = SC/APC Duplex, ceramic insert adapter

Multimode

39 = SC/PC, metal insert adapter
56 = SC/PC, composite adapter
50 = ST/PC, ceramic insert adapter
5T = ST/PC, threaded ceramic insert adapter
25 = ST/PC, composite insert adapter
(FDC Unit and HDF only)
2T = ST/PC, threaded composite insert adapter
17 = FC/PC, metal insert adapter
34 = FDDI/ST, ceramic insert
27 = ESCON®/ST, ceramic insert
57 = SC Duplex, metal insert
91 = SC Duplex, composite insert
97 = MT-RJ
A7 = LC/UPC Duplex, metal insert
A8 = LC/UPC Duplex, ceramic insert
E4 = LC/UPC Duplex, ceramic insert,
laser-optimized 50 um multimode fiber
E6 = SC/UPC Simplex, ceramic insert,
laser-optimized 50 um multimode fiber
E7 = SC/UPC Duplex, ceramic insert,
laser-optimized 50 um multimode fiber

Note: ST = ST® Compatible

continued

Ordering Information (continued)

6 Select fiber type.

- = Single-mode
- C = Multimode (50/125)
- K = Multimode (62.5/125)
- S = Laser-optimized multimode (50 μm)

7 Select cable type.

900 μm Coated Fiber Cables (6-144 fibers)

- 81 = TBII® Buffered Fiber MIC® Riser Cable
- 85 = Enhanced OptiStrip™ Buffered Fiber MIC Riser Cable
- 88 = Flexible TBII Buffered Fiber Plenum Cable

250 μm Coated Fiber Loose Tube Cables (2-288 fibers)

- W4 = Outside Plant ALTOS® Cable, all-dielectric
- W5 = Outside Plant ALTOS Cable, single-armor
- W6 = Outside Plant ALTOS Cable, double-armor
- W7 = ALTOS Riser Cable
- WF = FREEDM® Indoor/Outdoor Cable
- WZ = ALTOS LSZH™ Cable

Single-Tube Ribbon Fiber Cables (12-216 fibers)

- C1 = Toneable SST-Ribbon™ Cable (outdoor)
- C4 = Dielectric SST-Ribbon Cable (outdoor)
- C5 = Single-Armor SST-Ribbon Cable (outdoor)
- C6 = Double-Armor SST-Ribbon Cable (outdoor)
- C7 = Ribbon Riser Cable (indoor)
- C8 = Ribbon Plenum Cable (indoor)
- CF = FREEDM Ribbon Riser Cable (indoor/outdoor)

Single-Tube Ribbon Fiber Cables (24-fiber ribbon) (240-432 fibers)

- V7 = SST-UltraRibbon™ Riser Cable (indoor)

Stranded Loose Tube Ribbon Fiber Cables (288-432 fibers)

- Q7 = ALTOS Ribbon Riser Cable (indoor)
- QF = FREEDM Loose Tube Ribbon Cable (indoor/outdoor)
- QZ = LSZH Loose Tube Ribbon Cable (indoor/outdoor)

Stranded Loose Tube Ribbon Fiber Cables (288-864 fibers)

- Q4 = Dielectric ALTOS Ribbon Cable (outdoor)
- Q5 = Single-Armor ALTOS Ribbon Cable (outdoor)

Note: Please verify specific cable fiber count availability with a Corning Cable Systems Customer Service Representative.

8 Select special configuration.

- 00 = Standard product
- LK = Lockable (where available)
- Dual End Connectorization = Enter appropriate adapter/connector code from Option 5 if you require the unstubbed (non-housing) end of the cable to also be connectorized.

Note: Units ordered with the locking feature indicated will be shipped with one lock installed on the cable entry or provider side door for wall-mountable hardware and on the front door for rack-mountable hardware.

Additional lock kits for hardware items featuring the possibility of dual locking doors may be ordered using the part number below:

HDWR-LOCK-KIT

9 Select number of cables.

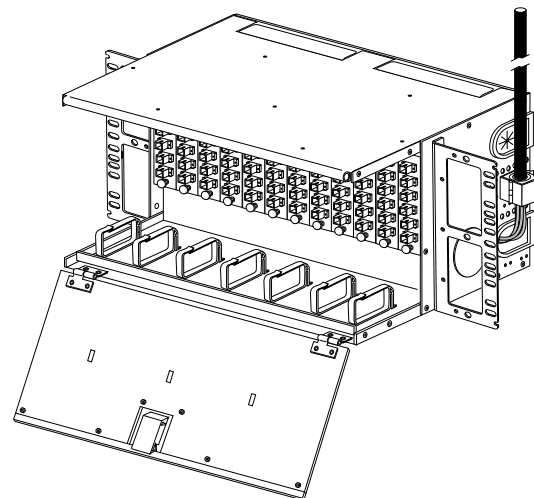
- 1 = One cable
- 2 = Two cables with full fiber count from Option 2 divided evenly.

10 Select cable entry direction.

(Referenced when viewing housing from the front)

- A = Bottom/left (default for wall-mount)
- B = Top/right (default for rack-mount)
- C = Top/left
- D = Bottom/right

Note: HDF products are limited to a left-side cable entry only.



Top/Right Cable Entry Direction | Drawing ZA-1646

Ordering Information (continued)

Table A
Codes for Fiber Counts and Cable Stub Lengths
Over 99

A_ = 10_	AN = 460
B_ = 11_	AP = 470
C_ = 12_	AQ = 480
D_ = 13_	AR = 490
E_ = 14_	AS = 500
F_ = 15_	AT = 510
G_ = 16_	AU = 520
H_ = 17_	AV = 530
J_ = 18_	AW = 540
K_ = 19_	AX = 550
L_ = 20_	AY = 560
M_ = 21_	AZ = 570
N_ = 22_	BA = 580
P_ = 23_	BB = 590
Q_ = 24_	BC = 600
R_ = 25_	BD = 610
S_ = 26_	BE = 620
T_ = 27_	BF = 630
U_ = 28_	BG = 640
V_ = 29_	BH = 650
W_ = 30_	BJ = 660
X_ = 31_	BK = 670
Y_ = 32_	BL = 680
Z_ = 33_	BM = 690
AA = 340	BN = 700
AB = 350	BP = 710
AC = 360	BQ = 720
AD = 370	BR = 730
AE = 380	BS = 740
AF = 390	BT = 750
AG = 400	BU = 760
AH = 410	BV = 770
AJ = 420	BW = 780
AK = 430	BX = 790
AL = 440	BY = 800
AM = 450	BZ = 810

“I” and “O” are not used.

Lengths from 100 to 339, use single letter plus number (1 to 9).

Examples

E4 = 144 m
A5 = 105 m
M6 = 216 m
T9 = 279 m

Lengths over 339 m can be ordered only in 10 m increments.
Use double letters.

Ordering Information (continued)

Table B – Maximum Fiber Count per Panel Based on Panel and Connector Type

Panel Type	Connector Type					
	SC Simplex	SC Duplex	FC	ST	MT-RJ	LC Duplex
ACH	12	N/A	6	6	N/A	24
HCP	6	N/A	6	6	N/A	12
ADB	8	N/A	N/A	N/A	12	16
CCH	12	12	12	12	24	24
ECL	8	12	6	6	N/A	16
LDC	8	6	6	6	N/A	16
FDC	12	12	6	6	N/A	24
FHP	12	12	12	12	N/A	24
HDF	24	N/A	24	24	48	48
LDS	6	N/A	N/A	N/A	N/A	12
LHS	12	N/A	N/A	N/A	N/A	24
LHR	12	N/A	N/A	N/A	N/A	24
LHP	12	N/A	N/A	N/A	N/A	24
LRP	6	N/A	N/A	N/A	N/A	12
LTS	18	N/A	N/A	N/A	36	36
MTX	12	N/A	12	8	N/A	24
WIC	8	6	6	8	16	16

Note: ACH = ACH™ Unit, ECL = Eclipse® Hardware, FDC = FDC® Unit, ST = ST® Compatible

Part Number Example

LDC 72 31 06 3C - C7 11 1 B
1 2 3 4 5 6 7 8 9 10

- 1 = LDC Unit, 7-in LDC-CMH-072 housing
- 2 = 72, total fiber count is 72 fibers
- 3 = 31, 31 m or 100 ft of cable
- 4 = 06, use 6-fiber panels
- 5 = 3C, terminate with SC/UPC connectors
- 6 = -, single-mode fiber
- 7 = C7, ribbon riser cable (indoor rated)
- 8 = 11, terminate other cable end with FC connectors
- 9 = 1, stubbed with one cable
- 10 = B, top right cable entry

Preconnectorized “Stubbed” Hardware

An Evolant® Solutions Product

Corning
Cable Systems

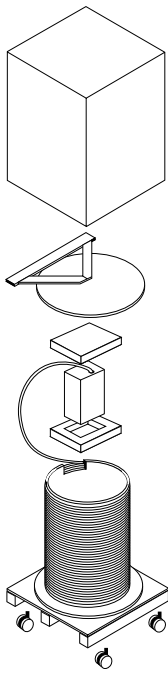
Ordering Information

Stubbed Hardware Packaging Information

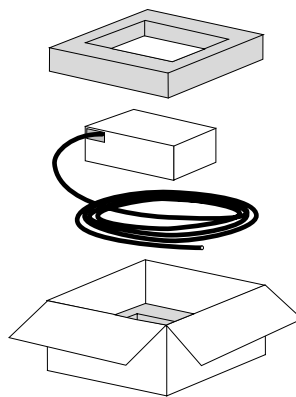
Packaging Method	Box Outside Dimensions (in)	Drum Diameter (in)	Flange Height (in)	Width of Reel (in)	Package Weight (lb)	Additional Material (lb)	Total Weight (lb)
H Short Stub (Coiled Cable)	34 x 31 x 17	–	–	–	6	–	16
Q Wheel-a-Reel (Plywood)	–	20.5	27.0	36.0	93	11	104
W CTS Reel (Plywood)	–	30.0	36.0	35.0	71	71	142
Z CTS Reel (Plywood)	–	30.0	41.0	35.0	84	79	163

Maximum Packaged Length in Feet (72-fiber cable/144-fiber cable/216-fiber cable)

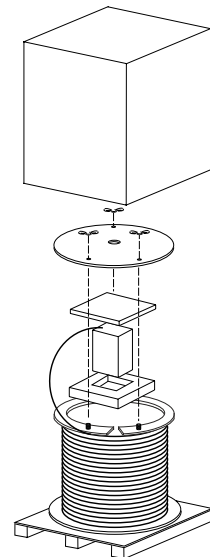
Packaging Method	Ribbon Riser Cable	900 µm OptiStrip™ Buffered Fiber MIC® Riser Cable	ALTOS® Riser Cable	Outside Plant Loose Tube Cable
H Short Stub (Coiled Cable)	100/ — / —	100/ — / —	100/ — / —	100/ — / —
Q Wheel-a-Reel (Plywood)	1070/ — / —	399/ — / —	864/424/ —	972/ — / —
W CTS Reel (Plywood)	1892/1293/1293	706/358/ —	1528/750/757	1719/898/841
Z CTS Reel (Plywood)	4631/3165/3165	1728/877/ —	3739/1835/1854	4207/2198/2058



Wheel-a-Reel | Drawing ZA-058A



Short Stub | Drawing ZA-726



CTS Reel | Drawing ZA-1411