



MICROWAVE COMPONENT

UNIVERSAL LNB CONTROLLER



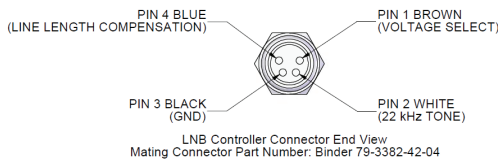
SPECIFICATIONS

Input Voltage Range	23 ~ 25 VDC
Output Voltage Range	Band 1: 12.5 ~ 13.5 VDC Band 2: 17.3 ~ 18.7 VDC
Tone Frequency	20 ~ 24 kHz
Tone Amplitude	0.55 ~ 0.9 vpp
Power Consumption	450 mA/24V (no ref) 600 mA/24V (10MHz ref)
Operating Temperature	-30 to +60 °C
CI Option Logic Levels	L: 0 - 0.8 V H: 2.5 - 7 V (20mA)

CONFIGURATIONS

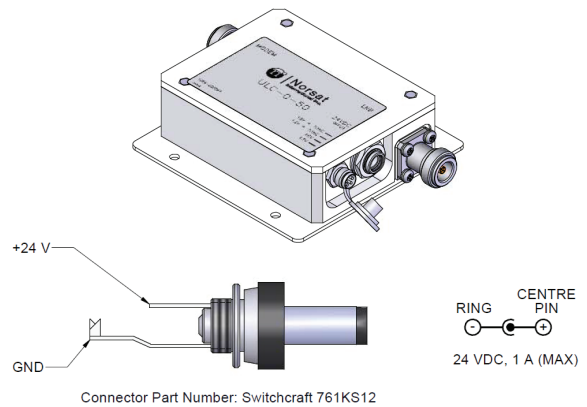
Connector Type	F (75 ohm), N (50 ohm) SMA (50 OHM)
Reference Signal	None, 10MHz internal, 10MHz injection port
Control Interface	Switch, Cable, Line Length Compensation with switch

BAND SELECTION



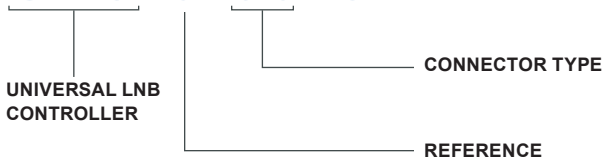
22kHz Tone	Voltage	Line Length Compensation	Output
L	L	L	13V
L	H	L	18V
L	L	H	14V
L	H	H	19V
H	L	L	13V + tone
H	H	L	18V + tone
H	L	H	14V + tone
H	H	H	19V + tone

MECHANICAL DIAGRAM



HOW TO ORDER

ULC-0-50-CI — CONTROL INTERFACE OPTION



Blank: Switch Control only
CI: Control Interface Cable
LLC: Line Length Compensation with Switch

75: 75 Ohm F connector
50: 50 Ohm N connector
50s: 50 Ohm SMA connector

0: no reference
1: 10 MHz reference
2F, 2N, 2S: 10 MHz injection port, F, N or SMA connector

