

## CB-30-3AL External Coil Bracket

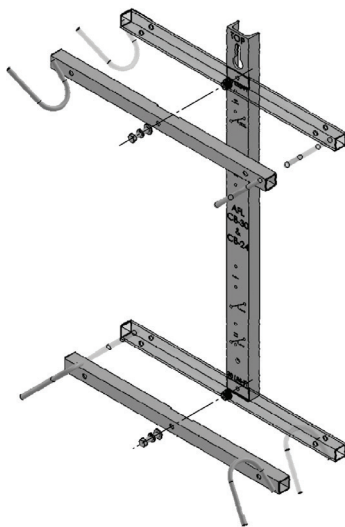
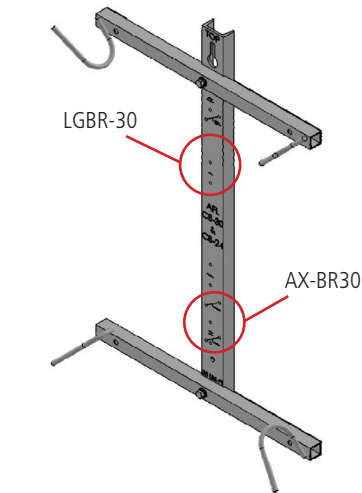
### Features

- Stores extra length of AFL-ADSS® cable
- Aluminum Material
- For use with AFL's Apex® X-2 and X-2S, LG-250, LG-350 and LG-350-AC sealed splice closures
- Shipped in three pieces and requires field assembly
- Can be bolted or banded to structure
- Mounting bracket available for Apex® and LG Series Sealed Splice Closures

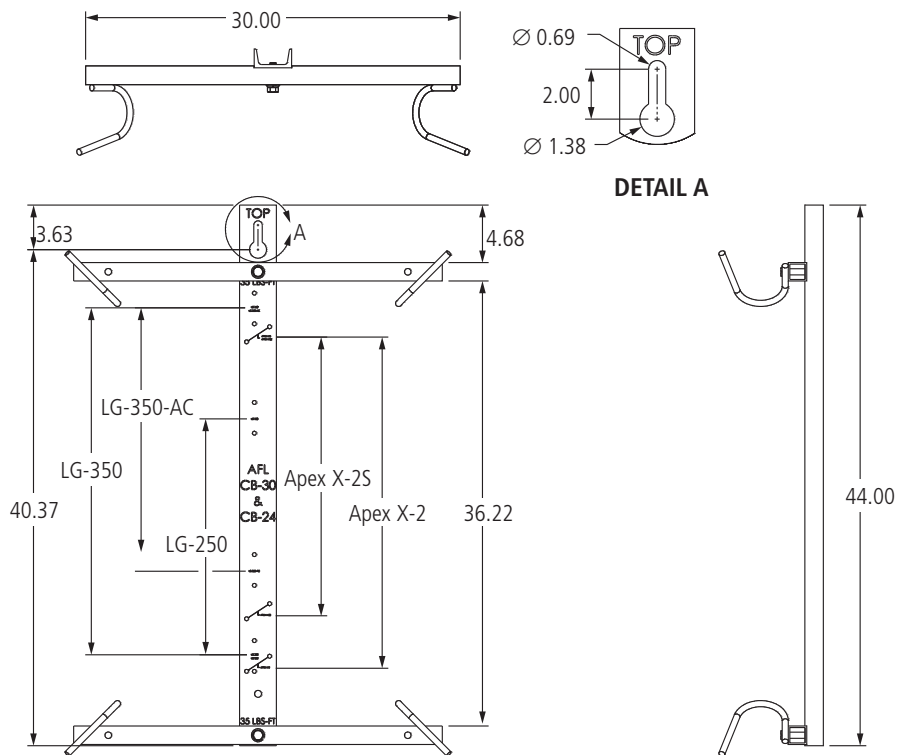
### Estimated Cable Storage Lengths and Loading Capacity

CABLE O.D. (IN)	ESTIMATED CABLE LENGTH (FT)	LOADING CAPACITY (LBS)
0.50	250	400
0.75	150	
1.00	100	

**NOTE:** For cable storage capacity greater than either of the values in table, please contact AFL.



### Installation Diagram



### NOTES:

1. Place tube assemblies in location as shown.
2. Stainless steel bolts to be torqued to 35 lbs-ft.

### Ordering Information

MODEL	AFL NO.
CB-30-3AL ADSS Coil Storage Bracket for LG Series Sealed Splice Closures	CB-30-3AL
Pole/wall mount kit for Apex X-2 and X-2S Sealed Splice Closures	AX-BR30
Mounting Bracket for LG Series Sealed Splice Closures	LGBR-30