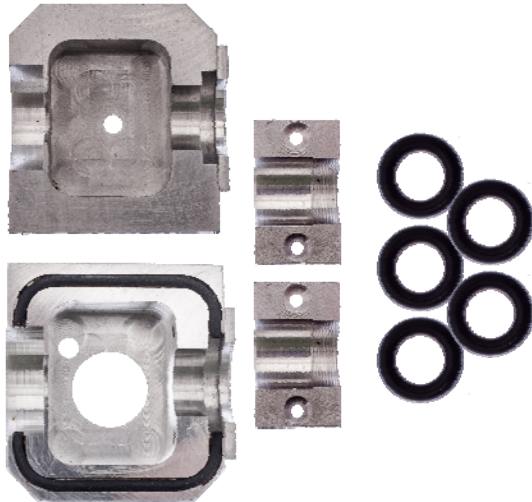


# GMP Whisper Configuration

## For Flat Drop Fiber

In order to customize your new "Whisper" to your application, we ask that you pick, one each from the lists below, the Tube Collet Assembly P/N and the Cable Kit P/N. When ordering, please have Tube and Cable dimensions available. Other sizes available upon request.



### TUBE COLLET AND CLAMP ASSEMBLIES

89923	12mm O.D.
89921	12.7mm O.D.
89928	14mm O.D.
89925	16mm O.D.
89924	18mm O.D.

### SPARE TUBE SEAL O RING (5 Pack)

89552	12-12.7mm
89555	14mm
89554	16mm
89558	18 mm



### CABLE COLLET KIT

89951	Corning ROC
89952	Corning SST
89954	Corning ROC Fast Access
89956	Commscope

### SPARE CABLE SEAL (3 Pack)

89506	Corning ROC Toneable
89507	Corning ROC Non-Toneable
89504	Corning SST Tonable
89505	Corning SST Non-Tonable
89506	Corning Fast Access ROC Tonable *
89507	Corning Fast Access ROC Non-Tonable *
89502	Commscope Toneable



\* Fast Access uses above cable guide half.

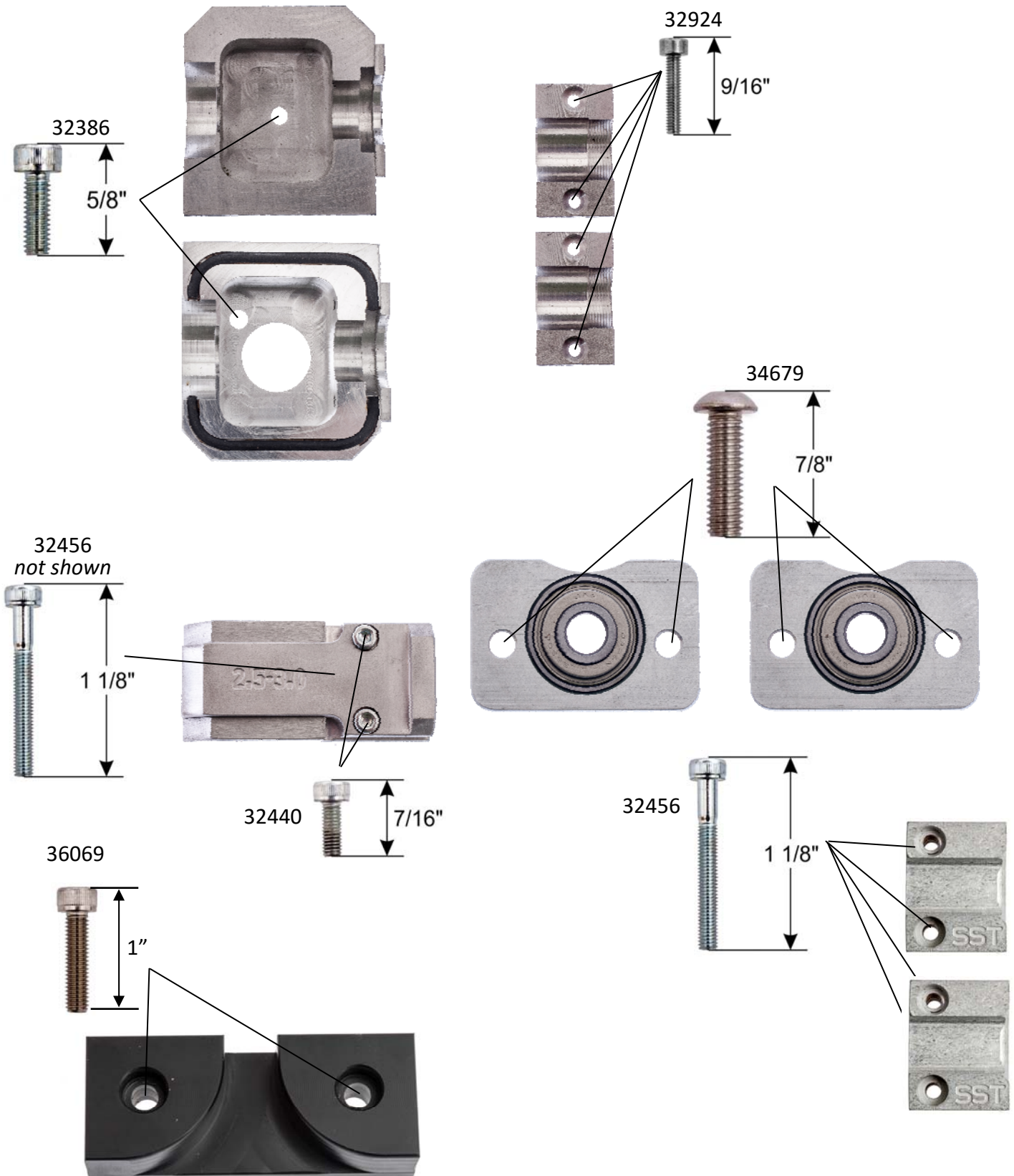


**General Machine Products Co.** 3111 Old Lincoln Highway Trevose, PA 19053 USA  
Tel: +1.215.357.5500 Fax: +1.215.357.6216 Email: info@GMPtools.com

AK 3/18/2016

# GMP Whisper Configuration

## Replacement Hardware for Flat Drop



General Machine Products Co. 3111 Old Lincoln Highway Trevose, PA 19053 USA  
Tel: +1.215.357.5500 Fax: +1.215.357.6216 Email: info@GMPtools.com

# GMP Whisper Tool Kit



32604



89691



32906



36079

89588



30069

34757

