



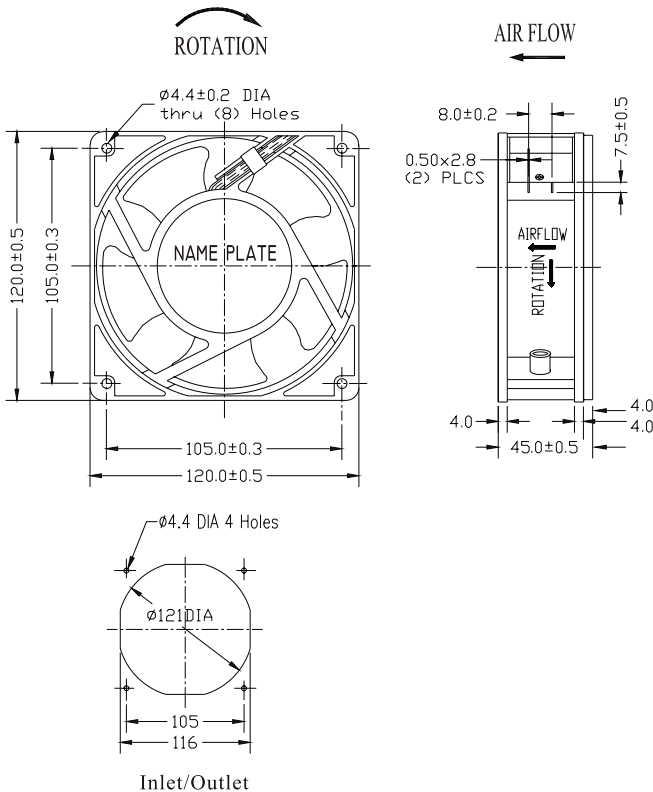
Double Fan, 150 CFM



Description

This double fan provides a boost in airflow to cool IT equipment in wall mount cabinets and other small enclosures. Simply mount the fans to the top of the enclosure using the included hardware and connect the prewired 6 ft power cord to an outlet. Each fan generates 75 CFM of airflow while using only 0.24A of electricity.

Technical Drawing



Product Specifications

- Product Type:** Electric Fan
- Impeller Material:** PBT Reinforced Plastic
- Terminals:** 0.02"
- Dimensions (HxWxD):** 4.72" x 4.72" x 1.77" (ea)
- Motor:** Shaded Pole Induction Motor
- Bearing System:** Sleeve
- Cord Length:** 6 ft
- Operating Temperature:** -10°C ~ 70°C
- Voltage:** 100 ~ 125 VAC (Per Fan)
- Frequency:** 50 / 60 Hz (Per Fan)
- Current:** 0.24 Amps (Per Fan)
- Power:** 10 / 9 Watts (Per Fan)
- Speed:** 2100 / 2400 RPM
- Noise:** 35 / 40 dBA (Per Fan)
- Airflow:** 75 CFM (Per Fan)
- Static Pressure:** 3.1 / 4.1 (mmH<sub>2</sub>O) (Per Fan)
- Weight:** 540g (Per Fan)
- Compliance & Standards:** CE & RoHS Compliant
- Quantity Per Package:** 1 (Set of 2)

Ordering Information

Item #	Description
RAFND02	Double Fan, 150 CFM