



LNB

KA-BAND DRO

9000L



TYPICAL SPECIFICATIONS

| | |
|------------------------------|--|
| Noise figure | 1.5 dB max at room temperature |
| L.O. stability | ±2.0 MHz max |
| Phase noise (SSB) max | -60 dBc/Hz at 1KHz -80 dBc/Hz at 10KHz -100 dBc/Hz at 100KHz |
| Gain | 60 dB typ., 55 dB min, 65 dB max |
| Output P1dB | + 5 dBm min |
| DC Power | +12V to +24V DC |
| Current | 400 mA max |

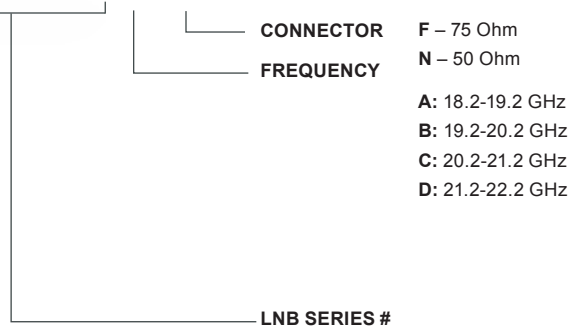
| | |
|------------------------------|---|
| Input (waterproof) | WR-42 waveguide |
| Output (waterproof) | F-connector (75 ohm) N-connector (optional) (50 ohm) |
| Dimensions | 111mm (L) x 42mm (W) x 42mm (H) |
| Weight | 300 g |
| Operating Temperature | -30 to + 60°C |
| Storage Temperature | -40°C to +80°C |

FREQUENCY BANDS AVAILABLE

| | 9000LA | 9000LB | 9000LC | 9000LD |
|-----------------------------|-----------|-----------|-----------|-----------|
| Frequency band (GHz) | 18.2-19.2 | 19.2-20.2 | 20.2-21.2 | 21.2-22.2 |
| L.O. frequency (GHz) | 17.25 | 18.25 | 19.25 | 20.25 |
| IF frequency (MHz) | 950-1950 | 950-1950 | 950-1950 | 950-1950 |

HOW TO ORDER

9000LAN



MECHANICAL DIAGRAM

