

WUNPEECE DUCT SPACER

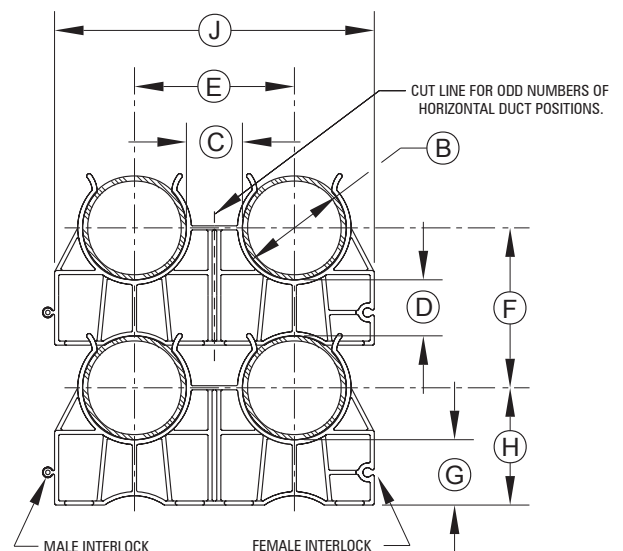
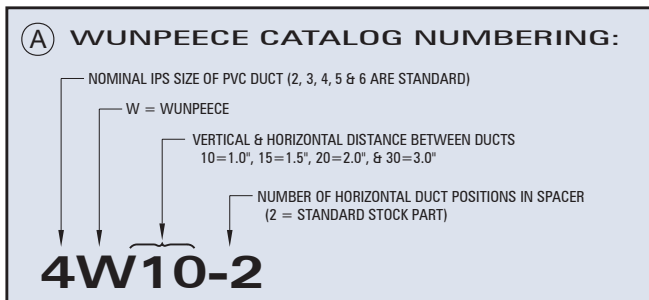
- Custom spacer units (3-way, 4-way, etc.) assembled at no extra cost
- Half as many parts to handle - molded as a two-way
- Easy snap-in design cuts your labor in half
- Random positioning along duct run eliminates vertical shear plane
- For all types of duct and almost any duct bank configuration

	(A) WUNPEECE CATALOG NO.	IPS* DUCT SIZE	(B) DUCT OD	NUMBER OF HORIZONTAL DUCT POSITIONS ***	DUCT TO DUCT SEPARATION		CENTER TO CENTER SEPARATION		(G) BOTTOM OF TRENCH TO BOTTOM OF BOTTOM DUCT	(H) BOTTOM OF TRENCH TO CENTER OF BOTTOM DUCT	(J) BASIC O.A.L.
					(C) HORIZONTAL	(D) VERTICAL	(E) HORIZONTAL	(F) VERTICAL			
STANDARD SPACERS	2W20-2	2"	2.375	2	2.000		4.375		3.000	4.188	8.750
	2W30-2	2"	2.375	2	3.000		5.375		3.500	4.688	10.750
	3W20-2	3"	3.500	2	2.000		5.500		3.000	4.750	11.000
	3W30-2	3"	3.500	2	3.000		6.500		3.500	5.250	13.000
	4W10-2	4"IPS*	4.500	2	.850	1.000	5.350	5.500	1.750	4.000	10.700
		4"TEL**	4.350	2	1.000			5.350		3.925	
	4W15-2	4"	4.500	2	1.500		6.000		3.000	5.250	12.000
	4W15-3	4"	4.500	3	1.500		6.000		3.000	5.250	18.000
	4W20-2	4"	4.500	2	2.000		6.500		3.000	5.250	13.000
	4W30-2	4"	4.500	2	3.000		7.500		3.500	5.750	15.000
	5W15-2	5"	5.563	2	1.500		7.063		3.000	5.781	14.125
	5W20-2	5"	5.563	2	2.000		7.563		3.000	5.781	15.125
	5W30-2	5"	5.563	2	3.000		8.563		3.500	6.281	17.125
	6W20-2	6"	6.625	2	2.000		8.625		3.000	6.312	17.250
	6W20-3	6"	6.625	3	2.000		8.625		3.000	6.312	25.875
	6W30-2	6"	6.625	2	3.000		9.625		3.500	6.812	19.250
	6W30-3	6"	6.625	3	3.000		9.625		3.500	6.812	28.875
	8W20-2	8"	8.625	2	2.000		10.625		3.000	7.312	21.250
SPECIALTY SPACERS	2DB08-2	2"	SEE DETAIL ON NEXT PAGE								
	2DB08-4	2"	SEE DETAIL ON NEXT PAGE								
	64W20-2	6" & 4"	SEE DETAIL ON NEXT PAGE								
	646W20-3	6" & 4"	SEE DETAIL ON NEXT PAGE								
	5W64-2b	5" & 2"	SEE DETAIL ON NEXT PAGE								
	5W64-2i	5" & 2"	SEE DETAIL ON NEXT PAGE								
	6W54-2b	6" & 2"	SEE DETAIL ON NEXT PAGE								
	6W54-2i	6" & 2"	SEE DETAIL ON NEXT PAGE								
6264W3015-3	6", 4" & 2"	SEE DETAIL ON NEXT PAGE									

*IPS IS THE NOMINAL SIZE OF PVC DUCT & CONDUIT PER NEMA TC 2, TC 6 & TC 8

**TEL IS THE NOMINAL SIZE OF PVC TYPE B TELEPHONE DUCT PER NEMA TC 10

***USING "MOLDED-IN" INTERLOCKS, WUNPEECE SPACERS MAY BE FIELD ASSEMBLED FOR ANY NUMBER OF HORIZONTAL POSITIONS.



FITTINGS & ACCESSORIES

WUNPEECE DUCT SPACER

