



Application

Providing 12-24 ports of connectivity for patch and splice, patch only, and plug and play (MPO/MTP) configurations in any network environment, Clearview Black scales and multiplies to meet your specific port density and application needs. Additional optical components integrate into the cassette supporting any input/output combination of splitting or mux and demux strategy desired.

Description

Clearview Black incorporates the same flexibility and scalability of Clearview Classic and Clearview Blue in a **50%** smaller footprint than the Clearview Blue. Reducing the overall footprint of the fiber management element reduces real-estate costs and improves density without compromising critical design elements of access, bend-radius protection, physical fiber protection and route-path diversity.

Clearview Black is a three component tool-less system: top cover, base/splice tray and splice tray cover. Parts snap together to support the desired application requirements. All types of fiber cable construction can be integrated within the cassette to support all patch only, patch and splice, passive optical component hardware and plug and play scenarios.

Each patch and splice cassette comes prepared for mass fusion splicing, with one meter of ribbonized 250um fiber preloaded and prepped to splice. Each ribbonizing jig aligns and secures the loose-tube fibers in correct color code order, allowing ribbonizing to be completed quickly and easily.

For patch only configurations, the pre-terminated length of OSP or IFC cable is pre-loaded within Clearview Black. The Clearview Black Cassettes are preloaded into the FieldSmart product when shipped.

Features and Benefits

Integrity

- Terminations compliant to Telcordia GR-326
- Supports industry standard SC and LC SM/MM connectors
- Supports all fiber construction types. Patch and splice must be ribbonized
- Modular and Scalability

Protection

- Designed to handle the toughest operating environments, the Black provides flexibility and reliable performance ensuring all sub-assembly fibers are slack stored, bend radius protected, and secured against accidental physical damage from handling

Access

- Tool-less, snap together design makes turn-up time even faster
- Two buffer tube/cable entry/exit paths allow the technician a high degree of flexibility in deployment
- Front-access to pre-terminated assemblies with Clearview removable lid
- Tool-less, snap together construction where pieces combine to desired configurations making turn up time faster
- Ribbonizing allows quicker troubleshooting and restoration of affected fibers, as 12-fibers are ribbonized only where the splicing needs to occur, providing single-circuit access if necessary.

Clearview

Black



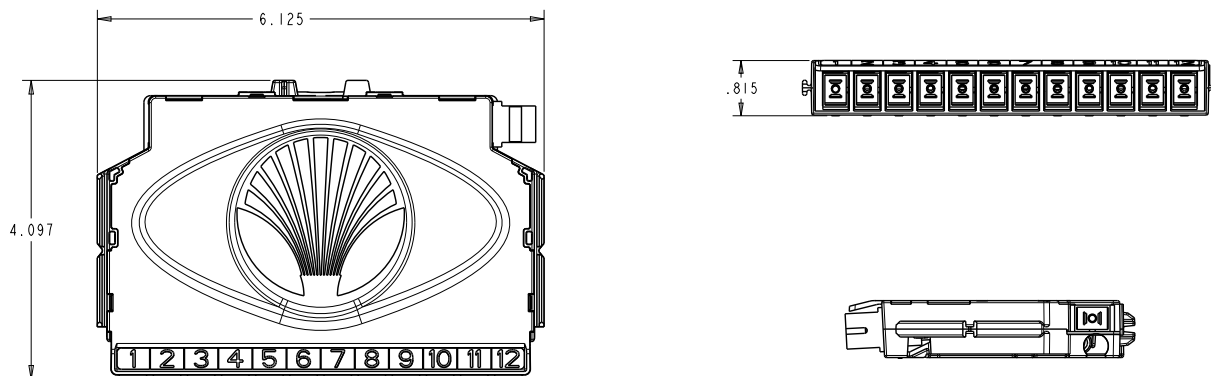
Investment

- "Grow-as-you-go"
- Scalable (multiplier of 12) building block to align capital expenditures to customer take rates
- Modular design allows ports to be configured to user-defined application requirements
- Patch and splice - integrated splice tray removes need to eliminates costs associated with separate splice enclosure/cases
- 50% smaller footprint than Clearview Blue allows for more density within all application environments without sacrificing the key fiber management ingredients in any fiber management device
- Patch and splice integrated splice tray removes need to dedicate separate chassis space or splice enclosure reducing real-estate (optimal protection and space utilization)
- Ribbonizing loose-tube cable allows for mass-fusion of up to 12 fibers at a time reducing installation time and costs

Specifications

Specification	Description
Ratings	Exceeds Telcordia GR-326-CORE, Issue 4 with Clearfield FiberDeep Guarantee
Dimensions	6.125" Wide x 4.097" Deep x .815" High
Mounting Options	Used with FieldSmart BLG Pivot Bracket or Clearview Mounting Ears
Material	Polycarbonate
Connector Types	Supports Industry Standard SC and LC SM/MM Connectors
Meters/Feet of Slack Storage	1 Meter - of 250 um used for internal ribbon splicing only

Dimensions

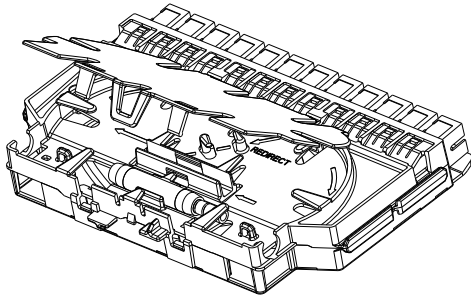


Clearview

Black

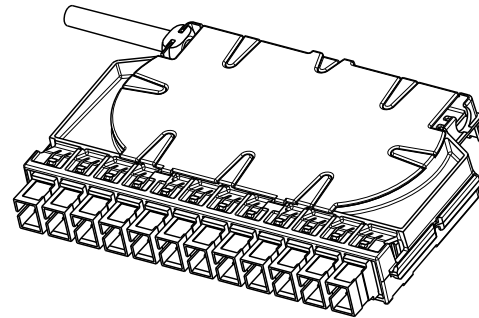


Configurations



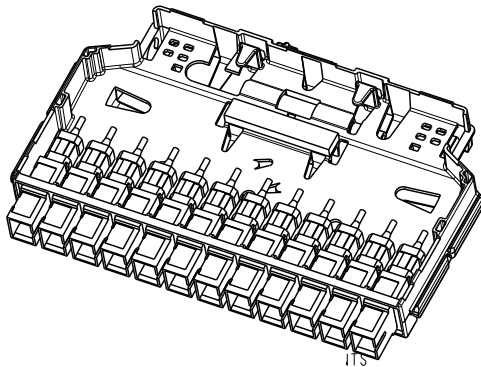
Patch and Splice

The splice tray that is molded into the lower tray is all that is needed to deliver integrated patch and splice applications. Pre-loaded with up to 1 meter of ribbon, 250 micron assemblies that are pre-terminated with slack stored inside the cassette for splicing.



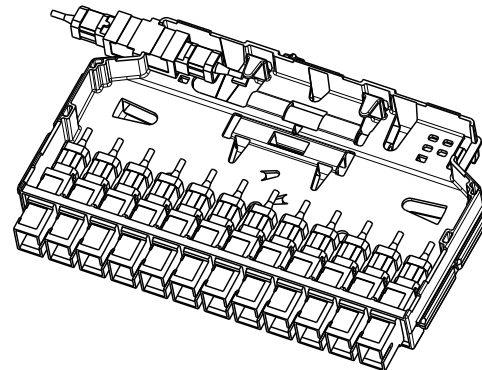
Patch Only

Regardless of the industry standard adapters or cable construction, the Clearview Black handles all patch only applications using the lower tray, top cover and built in radius limiter.



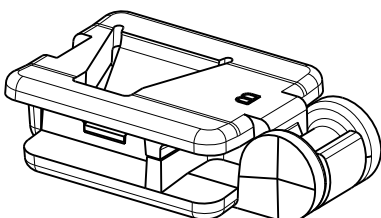
Optical Components

Clearview integrates optical components into the identical cassette, allowing service providers to mix and match fiber modules with optical components in the same chassis.



MPO PLUG and PLAY

MPO to 12 fiber 900 um assembly allows for plug and play by mating MPO to MPO with pre-terminated multi-fiber OSP or IFC.



Clearview Ribbonizing Tool

In the event a loose tube cable is brought to the cassette, the splicing technician will use local ribbonizing practices or has the option to use the supplied Clearfield ribbonizing tool.