



MultiMedia Drop Amp

EDA-MM & MMA Series



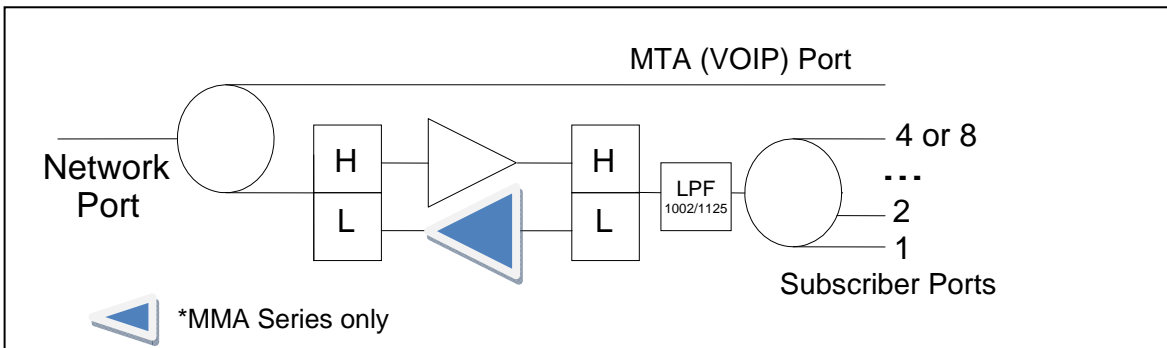
Features

- Field-proven reliability
- Passive MTA port
- Active Return path (**MMA Series only**)
- Hermetically-Sealed Housing
- High return loss
- Surge Protected (IEEE62.41-1991)
- SCTE Compliant F Ports
- LED Power Indicator
- 360 ° center conductor contact
- Enhanced MOCA Performance
- 3 port selection for power

Description

The EDA-2500 & EDA-2900 are new MultiMedia drop amplifiers. The products have 4 or 8 outputs to feed entertainment terminals distributed in the subscriber's premises, plus an additional output port to feed a Multimedia Terminal Adaptor (MTA) that has built in battery backup. The additional port is completely passive and will continue to pass communication signals and allow continued operation of the MTA when there is a power outage.

Power can be applied to the dedicated power port, or to the Output+PWR or Voip port, when combined with RF. The drop amplifier product line has long been recognized as the benchmark for high quality and high performance. This series is just another example of Electroline's innovation and ability to develop products that enhance the quality of service provided by the network operator to subscribers.



Specifications

Parameter	EDA2500MM 4 Output+VOIP	EDA2900MM 8 Output+VOIP	EDA2500MMA 4 Output+VOIP	EDA2900MMA 8 Output+VOIP	Note
Forward Path 54-1002 MHz					
Gain	0 to 3dB	0 to 3dB	0 to 3dB	0 to 3dB	Active ports
Flatness	1± dB	1± dB	1± dB	1± dB	
Return Loss	18 dB min	18 dB min	18 dB min	18 dB min	All ports
Insertion Loss	3.5 ± 0.5 dB	3.5 ± 0.5 dB	3.5 ± 0.5 dB	3.5 ± 0.5 dB	Passive VOIP port
CNR	62 / 66 dBc	62 / 66 dBc	62 / 66 dBc	62 / 66 dBc	w/10/14 dBmV inputs
CSO	-62 dBc	-62 dBc	-62 dBc	-62 dBc	Note 1
CTB	-75 dBc	-75 dBc	-75 dBc	-75 dBc	
Cross Modulation	-75 dBc	-75 dBc	-75 dBc	-75 dBc	
Hum Modulation	-75 dBc	-75 dBc	-75 dBc	-75 dBc	
Group delay (ch2 / ch3 / ≥ch4)	20 / 7 / 5 ns	20 / 7 / 5 ns	20 / 7 / 5 ns	20 / 7 / 5 ns	3.58 MHz span
Noise Figure	3 dB	3 dB	3 dB	3 dB	NF of IC (note 2)
RFI	-100 dB	-100 dB	-100 dB	-100 dB	5-1002 MHz
Return Path 5-42MHz					
Gain	n/a	n/a	0 to 3 dB	0 to 3 dB	
DSO & DTO	n/a	n/a	-55 dBc	-55 dBc	Note 2
Insertion Loss	10.5 ± 1 dB	14 ± 1 dB	n/a	n/a	
Flatness	.75± dB	0.75± dB	0.75± dB	0.75± dB	
Group Delay	5-10 MHz	20 ns	20 ns	20 ns	1.5 MHz span
	10-36 MHz	5 ns	5 ns	5 ns	
	36-42 MHz	20 ns	20 ns	20 ns	
Return Loss	18 dB min	18 dB min	18 dB min	18 dB min	All ports
Insertion Loss	3.5 ± 0.5 dB	3.5 ± 0.5 dB	3.5 ± 0.5 dB	3.5 ± 0.5 dB	Passive VOIP port
General Specifications					
Isolation Between amplified outputs	25 dB min	25 dB min	25 dB min	25 dB min	CATV band
	30 dB max	42 dB max	30 dB max	42 dB max	MoCA band (1125-1525MHz)
Isolation Amplified outputs to input	36 dB min	36 dB min	36 dB min	36 dB min	
	Input to amplified outputs	26 dB min	26 dB min	26 dB min	
DC operating voltage	+15 V	+15 V	+15 V	+15 V	
DC operating current	150 mA	175 mA	350 mA	380mA	
Power pack short circuit protection	Yes	Yes	Yes	Yes	Thermal fuse
RF port surge withstand (IEEE C62.41-1991)	6KV/200A 6KV/3KA	6KV/200A 6KV/3KA	6KV/200A 6KV/3KA	6KV/200A 6KV/3KA	Ring Wave Combination Wave
Operating ambient temperature	-40 to 60°C	-40 to 60°C	-40 to 60°C	-40 to 60°C	
Dimensions	131 x 91 x 100	156 x 90 x 99	131 x 91 x 100	156 x 90 x 99	mm
	5.2 x 3.6 x 3.9	6.1 x 3.5 x 3.9	5.2 x 3.6 x 3.9	6.1 x 3.5 x 3.9	
Weight	0.52	0.61	0.52	0.61	Kg
	1.2	1.4	1.2	1.4	

- Notes:** 1) Input levels at +14 dBmV/CH (77 NTSC), plus digital after 550MHz at 6 dB set-back.
 2) 8 dB typical noise figure for the complete product, from input to amplified outputs.
 3) All values are typical unless otherwise noted.
 Specifications are subject to change without prior notification. .

Ordering Information (all models include wall adapter for North America)

EDA2500MM	Five outputs amplifier with 5-42 MHz passive return path.
EDA2500MMA	Five outputs amplifier with 5-42 MHz active return path.
EDA2900MM	Nine outputs amplifier with 5-42 MHz passive return path.
EDA2900MMA	Nine outputs amplifier with 5-42 MHz active return path.

*call factory for the power inserter configuration.

Corporate Headquarters
Electroline Equipment Inc.
 395 Lebeau Blvd.,
 Saint Laurent, Québec
 Canada
 H4N 1S2

Telephone
North America (800) 461-3344
Elsewhere (514) 374-6335

Fax
Corporate /
Ordering:
 (514) 374-2257

General Inquiries
info@electroline.com
Technical Support
support@electroline.com