

ULTIMATE™ SNAP-N-SEAL® “F” SERIES COMPRESSION CONNECTOR

Thomas & Betts introduces the Ultimate™ Snap-N-Seal® Compression Connector. One connector for 6 Series SCTE specification drop cables including 60% braid, tri-shield and quad shield.

Look for the classic design of this Thomas & Betts connector. With its user-friendly, pre-positioned and detachably coupled plastic sleeve, the Ultimate™ Snap-N-Seal® Connector incorporates time-proven advantages for a reliable connection.

- To reduce assembly time and simplify installation, the plastic sleeve is pre-positioned and detachably coupled to the connector body.
- The plastic sleeve's separability from the connector body further simplifies difficult installations.
- True 360° compression onto cable ensures superior RF shielding performance, -90 dB effective shielding (typical on 60% bonded foil cable).
- Installation requires one-step 1/4" - 1/4" cable preparation and standard compression tools used for all 59 & 6 Series Snap-N-Seal® product families.
- Quad-sealed system prevents moisture migration.
- Incorporates a NiTin finish plus UV resistant plastic and O-rings to provide a reliable, environmentally sealed product.
- Cable retention exceeds 40 lb. minimum as specified by the SCTE.



PHYSICAL PROPERTIES

- Nut, Post and Collar: Brass
- Nut and Collar Finish: Nickel Tin
- Post Finish: Tin Plated
- O-Rings: Ethylene Propylene

ELECTRICAL PROPERTIES

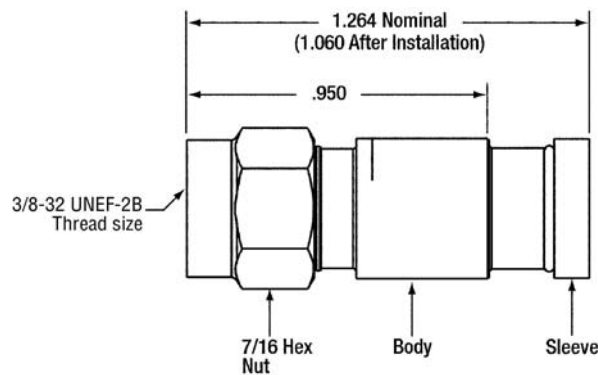
- Return Loss: ≥ -30 dB up to 1GHz Typical
- Insertion Loss: ≤ -0.18 dB up to 1GHz Typical
- RFI Shielding: -90 dB Typical (60% Bonded Foil)

MECHANICAL PROPERTIES

- Cable Retention: 40 lbs min. Complies to SCTE IPS-SP-401
- Cable Insertion Force: < 20 lbs Typical

ENVIRONMENTAL PROPERTIES

- Temperature Rating: -40°F (-40°C) to 140°F (60°C)
- Moisture Migration: Passes ANSI/SCTE 60 2004



ORDERING INFORMATION

CATALOG NUMBER	POST I.D.	SLEEVE I.D.	SLEEVE COLOR	TOOL†	INNER PACK	OUTER PACK
“F” SERIES COMPRESSION CONNECTOR						
SNS1P6U	.191	.293	Red	1+2 or 3	50	1000

†Tool: 1 = CST596 or CST596711 2 = SNSUTL 3 = IT1000

Please ask your Thomas & Betts representative for a complete catalog of quality Thomas & Betts products or visit us at www.tnb.com. For customer service, call **1-800-685-9452**. For technical questions, call **1-888-862-3289**.

© 2007 Thomas & Betts Corporation. All rights reserved.

DATA SHEET # CDS-SNSULT

Thomas & Betts Corporation
Communications Products Group
Tel: 800-920-0328 • 901-252-5000
Fax: 800-283-6756 • 901-252-1380