

# AquaTight® EX® Universal Compression Connectors Series 6 & 59

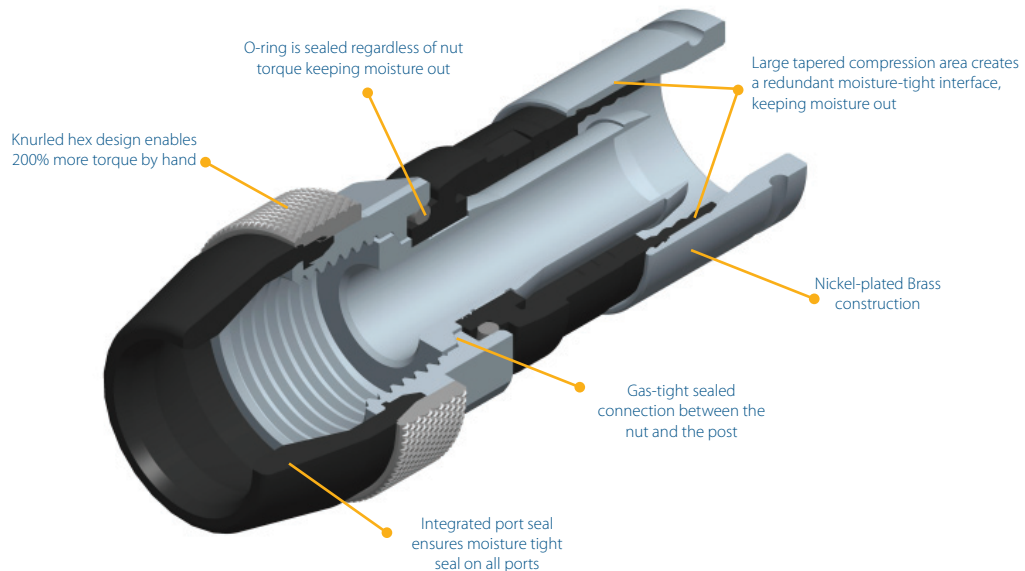
Moisture can kill a network. In real life, the use of port seals is often intermittent, and using the correct port seal is a tall order. Improper use or lack of port seals leaves connectors susceptible to the elements. The PPC AquaTight Universal Drop Connector guarantees the use of the proper port seal every time, keeping the moisture out.



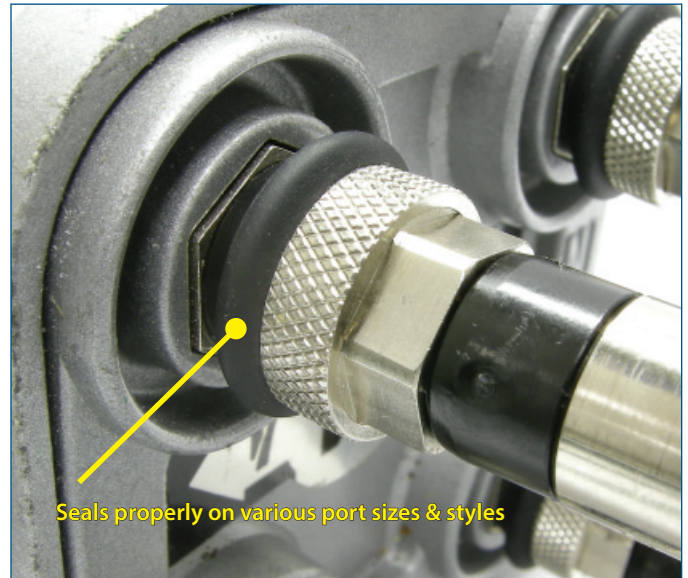
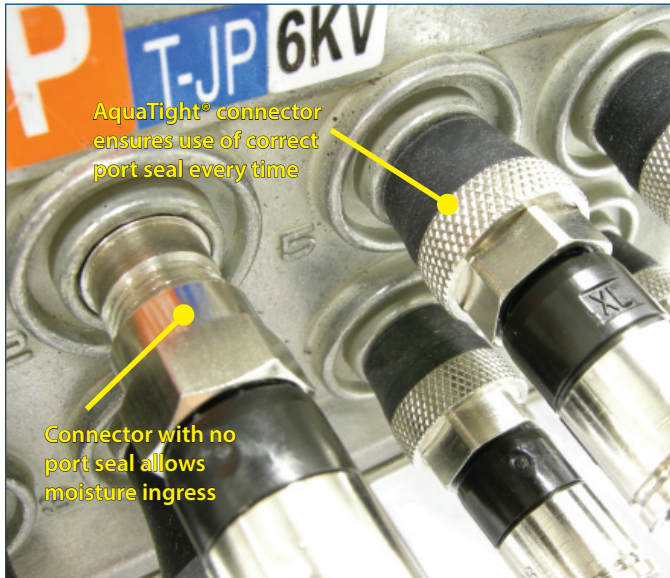
Product Specifications	
Bandwidth	0 MHz to 3 GHz
Impedance	75 Ohms (nominal)
Return Loss	Minimum -30 dB to 3 GHz
Insertion Loss	Less than .10 dB to 3 GHz
Operating Voltage	90 V (at 60 Hz continuous AC)
Operating Temperature	-40° F to + 140° F (-40° C to 60° C)
Cable Retention	45 lbs (20.41 kg) minimum

*Meets or Exceeds all SCTE Specifications*

## Features & Benefits



## Application



AquaTight® EX® Universal compression connectors ensure proper port sealing every time

## AquaTight® EX® Compression Connectors: Series 6 & 59

EX6WS



EX6XLWS



EX59WS



EX59XLWS



### Part Numbers

EX6WS	AquaTight® EX® connector, integrated port seal, series 6 cable
EX6XLWS	AquaTight® EX® connector, integrated port seal, extended body, series 6 cable
EX59WS	AquaTight® EX® connector, integrated port seal, series 59 cable
EX59XLWS	AquaTight® EX® connector, integrated port seal, extended body, series 59 cable

VT200



VT300



LDT596-250



TW307 AH



### Preparation & Installation Tools

Compression Tool	CATAS, VT200 (for use w/ XL series)		
	CAT-AS-EX, VT300 (for use w/ EX series)		
¼" – ¾" universal drop cable preparation tool	LDT596-250	DDT59611	
7/16" snap torque wrench	TW207	TW307	TW307 AH

Please see complete tool list on pages A38-A40