

# Headend Optics Platform (CH3000)

## PS3005

### 250 Watt AC Power Supply

## FEATURES

- 250 Watts
- Two models available:
  - Alphanumeric display (PS3005D)
  - Status LEDs (PS3005N)
- Continuous AC input voltage range from 100 to 240 V, 50/60Hz
- High power factor, 0.95 at 120V
- Long hold-up time
- Hot swappable
- Supports redundant power supplies
- Occupies two full-depth slots
- Monitoring and control of chassis-resident active modules via RS-232 port
- Monitors and detects chassis platform alarms
- PS3005D allows local monitoring and control without additional hardware
- Over temperature protection



## PRODUCT OVERVIEW

The PS3005 is a high performance, hot-swappable, 250 watt power supply and controller designed for the CH3000 chassis. The PS3005 accepts an AC input voltage in the continuous range from 100 to 240 volts at 50 to 60 Hz and provides 12 volts DC to the mid-plane bus of the CH3000 for distribution to chassis modules. The PS3005 manages the RS285 communication on the mid-plane bus, providing user access to the alarm, control and monitoring features of the active modules in the chassis. For easy set-up of the CH3000, the PS3005 continuously polls and performs auto-discovery of all active modules in the chassis.



The PS3005 features power factor correction (PFC) for reduced energy costs, a minimum holdup time of 25 ms for glitch-less switch-over to stand-by power and a front panel RS232 craft port. Additional features include over-voltage, short-circuit and over-temperature protection.

The PS3005 requires two full-depth slots in the CH3000 chassis and mates with the BP-P1 dynamic back plate provided with the unit. An optional 6 foot 3-wire line cord is available.

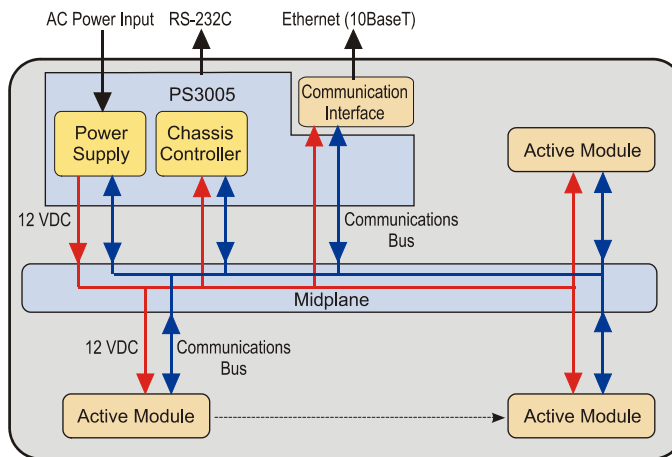
The PS3005 is available in two configurations, the PS3005D with front panel fluorescent display and joystick and the PS3005N with front panel status LEDs only. The PS3005D with its display and joy stick features allows the user direct access to the alarm, control and monitoring features of the active modules in the chassis without additional equipment. These may also be accessed via the RS232 craft port using ARRIS's CMS software. The PS3005N provides the user with alarm status of the chassis only via the status LEDs. Alarm detail to the module level as well as control and monitoring features are accessed via the RS232 craft port using ARRIS's CMS software.

#### RELATED PRODUCTS

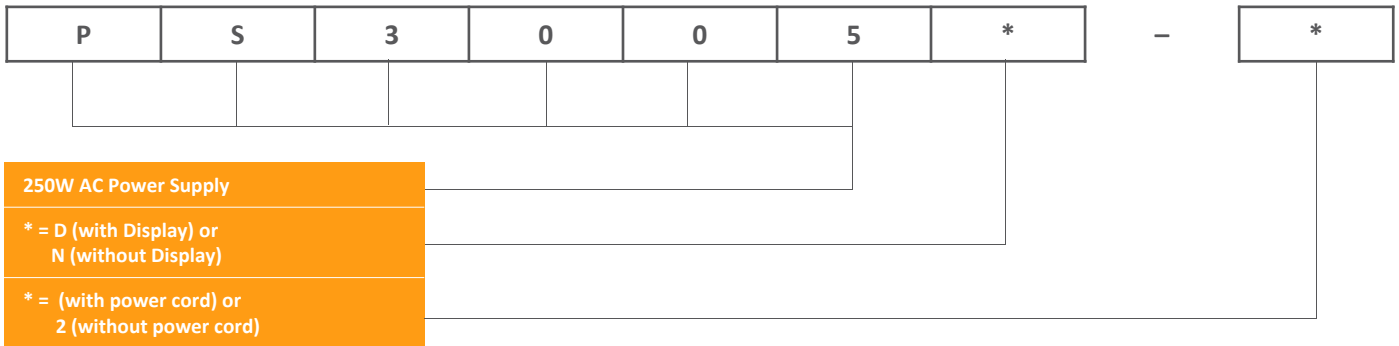
Optical Transmitters	Optical Passives
Digital Return	Optical Patch Cords
BP Back plates	Installation Services

**SPECIFICATIONS**

Characteristics	Specification
<b>Physical</b>	
Dimensions	13.0" D x 4.3" H x 2.0" W (3RU) (33 cm x 11 cm x 5 cm)
Weight	3.1 lbs (1.4 kg)
Space allocation	2 full-depth slots in CH3000 Chassis
<b>Environmental</b>	
Operating Temperature Range	
Standard power conditions (load ≤ 216W)	-20° to +65°C (-4° to 149°F)
High power conditions (load ≤ 250W)	0° to +50°C (+32° to 122°F)
Storage Temperature Range	-40°C to +85°C (-40°F to +185°F)
Humidity	5% to 95% non-condensing
<b>Electrical</b>	
AC Input:	
Rated Voltage	100 to 240 V, continuous
Operating Voltage	90 to 264 V
Frequency	50/60 Hz
Power Factor	0.95 minimum, at full load
Fuse	8A/250V SLO-BLO, 5 x 20mm
DC Output:	
Voltage	12.0 V <sub>DC</sub> nominal
Current	21 Amps max. (250 watts)
Efficiency	83% typical at 120V input, 18 - 21 Amp load
Protection	Over-voltage and short circuit
<b>General</b>	
	Hot Swappable
	Over-temperature with auto-reset
	Front panel RS-232 craft port
<b>Indicator LEDs on model PS3005N</b>	
Status LEDs	<ul style="list-style-type: none"> <li>Green = OK</li> <li>Yellow = Non-service-affecting alarm</li> <li>Red = Service-affecting alarm</li> </ul>
Access Indicator LED	<ul style="list-style-type: none"> <li>Blue = Lit during communication with chassis modules</li> </ul>
Back-Up P/S Indicator LED	<ul style="list-style-type: none"> <li>Green = Lit if second power supply is present within chassis</li> </ul>
<b>Regulatory Compliance</b>	
	IEC 60950-1; EN 60950-1; UL 60950-1 CSA C22.2 No. 60950-1 EN 55024 EN 55022, Class B VCCI V-3 FCC Part 15, Subpart B, Class B ICES-003, Class B



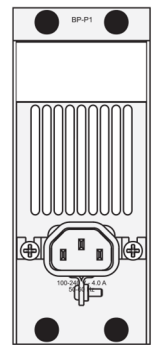
**ORDERING INFORMATION**



**Required Module Back Plate**



Back Plate is included with ordered module



**Customer Care**

Contact Customer Care for product information and sales:

- United States: 866-36-ARRIS
- International: +1-678-473-5656

**Note:** Specifications are subject to change without notice.

**Copyright Statement:** ©ARRIS Enterprises, LLC, 2016. All rights reserved. No part of this publication may be reproduced in any form or by any means or used to make any derivative work (such as translation, transformation, or adaptation) without written permission from ARRIS Enterprises, LLC (“ARRIS”). ARRIS reserves the right to revise this publication and to make changes in content from time to time without obligation on the part of ARRIS to provide notification of such revision or change. ARRIS and the ARRIS logo are registered trademarks of ARRIS Enterprises, LLC. Other trademarks and trade names may be used in this document to refer to either the entities claiming the marks or the names of their products. ARRIS disclaims proprietary interest in the marks and names of others. The capabilities, system requirements and/or compatibility with third-party products described herein are subject to change without notice.