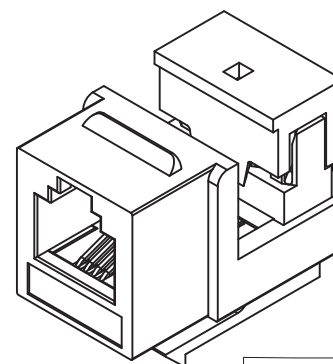
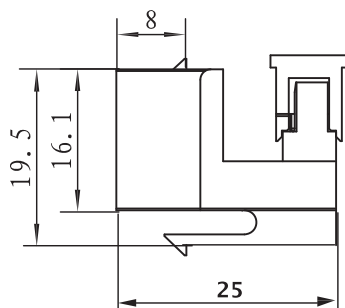
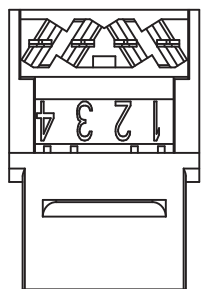
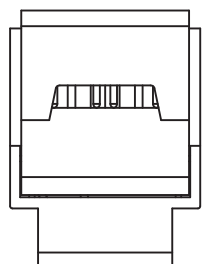
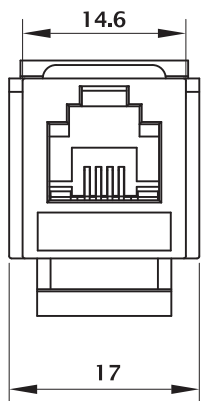


**PRODUCT SPECIFICATIONS**  
CAT3 RJ14 U/UTP Keystone Jack



<b>Tolerance:</b>	<b>Scale:</b>
X. ±0.5	FREE
.X ±0.3	UOM: mm
.XX ±0.10	
<b>Angle:</b>	REV. :
X° ±3°	00
.X° ±1°	

**Material Specifications:**

RJ14 contact material:

- Phosphor Bronze with nickel plating
- Contact area: Gold plated

IDC Terminal Contacts:

- Phosphor Bronze with nickel plating
- 110 Punchdown tool compatible
- Suitable for 22-26 AWG stranded or Solid wire

Plastic Housing:

- Polycarbonate (PC)
- Terminal Cap: Polycarbonate (PC)
- 110 Punchdown tool compatible

PART NUMBER	AVAILABLE COLOR
MKJ3U-03571	White
MKJ3U-04057	Light Almond
MKJ3U-04058	Ivory

NOTE: TECHNICAL SHEETS ARE SUBJECT TO CHANGE WITHOUT NOTICE.

Rev. 20151103.2

© 2015 VERICOM Global Solutions