

Gigabit Ethernet PON (GE-PON) Solution

Proven PON Technology for Ethernet in the “First Mile.”



ONU (FNP6010)

Fujikura's FNP4101 Gigabit Ethernet PON solution offers full compliance with the IEEE 802.3ah PON standard while retaining the scalability and switched-Ethernet operating features of Fujikura's widely-deployed FNP2101 platform.

The 1RU Optical Line Terminal (OLT) has four PON ports that each support 1.25 Gb/s of symmetrical bandwidth and up to 32 direct fiber connections to subscribers. At the customer's premise, each Optical Network Unit (ONU) supports burst capabilities up to a full Gigabit.

The GE-PON combines Layer-2 Ethernet simplicity with carrier-class security, monitoring, and administrative features.



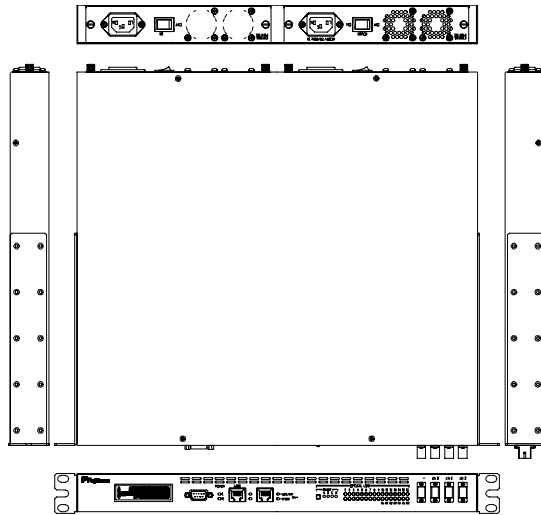
OLT (FNP4101)

Features

- Supports up to 32 connections over a single fiber within a 20 km radius
- Unique non-linear distortion control features to enable RF video overlay while retaining full compliance with IEEE 802.3ah
- Capability to assign bandwidth limits, bandwidth guarantees, and bandwidth burst capability by subscriber
- Ability to support both 802.1q tagged and untagged traffic at the subscriber premise
- Stacked VLAN support
- Class of Service Prioritization
- Redundant and hot-swappable power supply
- Full suite of SNMP traps, security and administrative features

Gigabit Ethernet PON (GE-PON) Solution

OLT (Optical Line Terminal)



Physical Specifications

PARAMETER	VALUE*
Dimensions (W x D x H)	17.14in (435mm) x 15.96in (405mm) x 1.65in (42mm)
Weight	17.64 lbs (8 kg)

* Specifications do not include brackets or any other attachments.

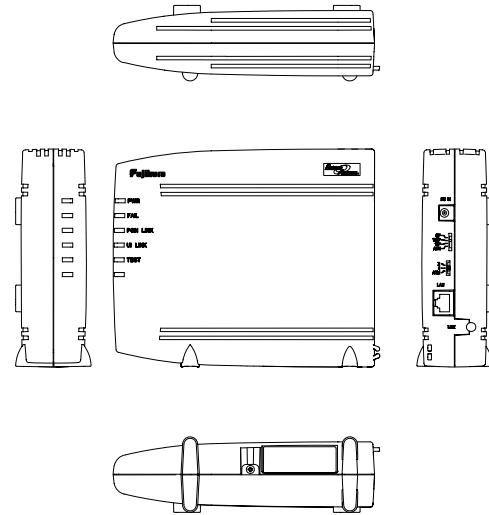
Interface Specifications

INTERFACE	QTY	SPECIFICATION
Uplink port 100/1000BASE-T	2	100/1000BASE-T Auto-negotiation Full duplex RJ-45 MDI-X
Console port	1	RS-232C D-SUB 9pin

Port Specifications

PARAMETER	VALUE
Wavelength	1490nm (Tx) / 1310nm (Rx)
Optical output	+2 ~ +7dBm
Sensitivity	-9 ~ -29.5dBm
Fiber	Singlemode
Connector	SC (PC polish)

ONU (Optical Network Unit)



Physical Specifications

PARAMETER	VALUE*
Dimensions (W x D x H)	5.91in (150mm) x 7.08in (180mm) x 2.04in (52mm)
Weight	1.10 lbs (0.5 kg)

* Specifications do not include brackets or any other attachments.

Interface Specifications

INTERFACE	QTY	SPECIFICATION
LAN port 10/100/1000BASE-T	1	10/100/1000BASE-T Auto-negotiation Full duplex/Half duplex support RJ-45 MDI-X

Port Specifications

PARAMETER	VALUE
Wavelength	1310nm (Tx) / 1490nm (Rx)
Optical output	-0.5 ~ +4.5dBm
Sensitivity	-3 ~ -25.5dBm
Fiber	Singlemode
Connector	SC (PC polish)